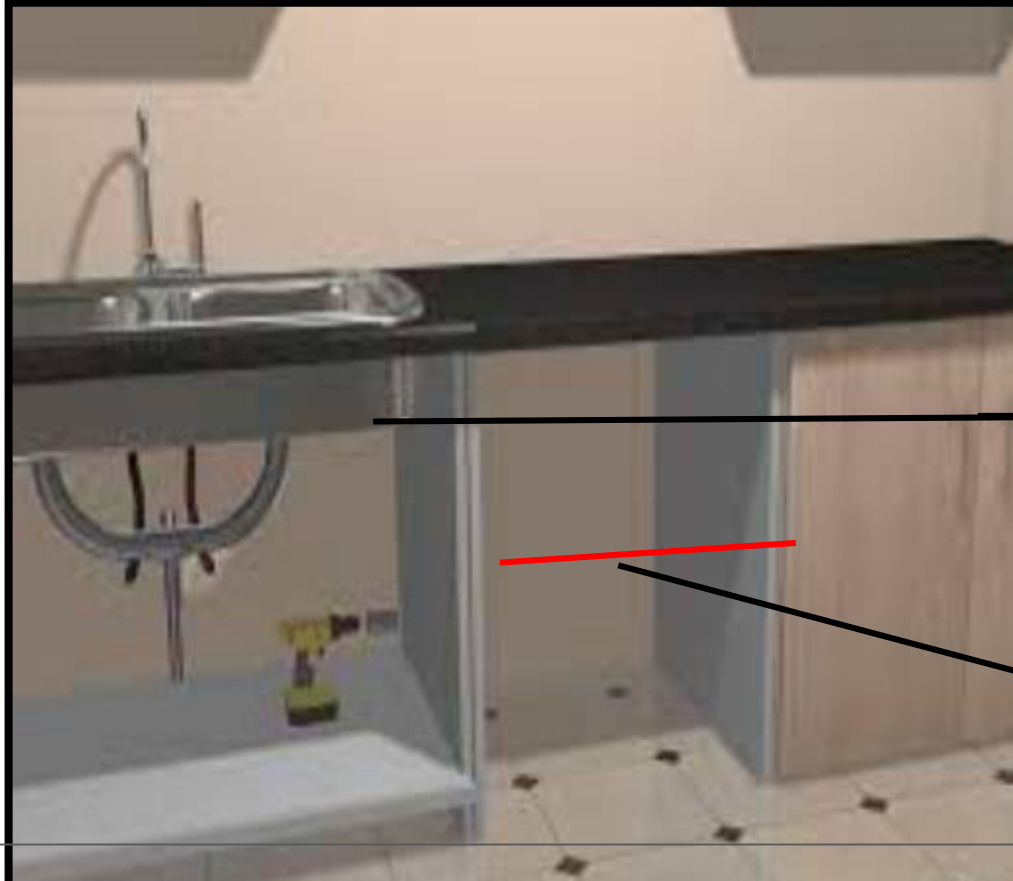




Technical Details

Space for Dishwasher (Standalone or Built in)



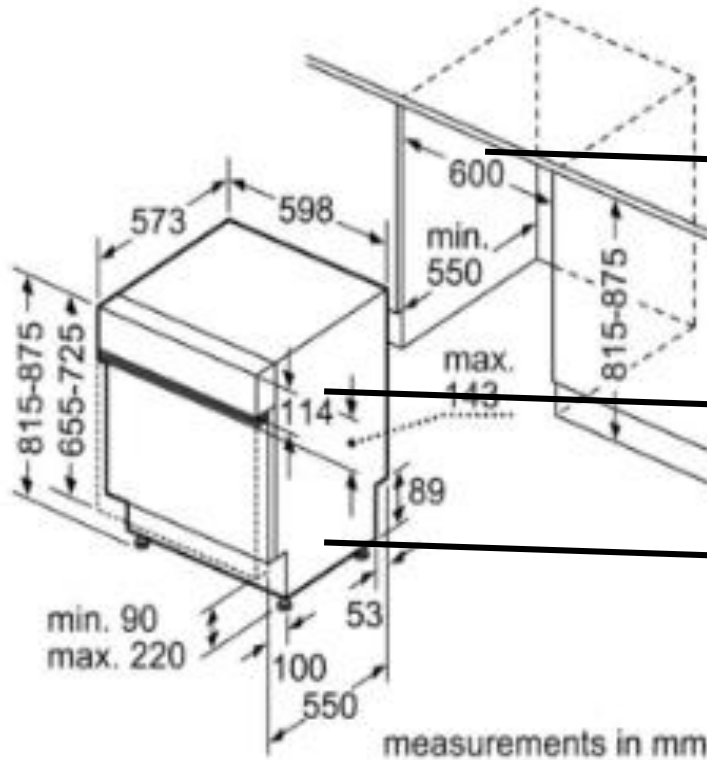
Connect dishwasher outlet point to sink outlet point



Dishwasher must plan near sink unit to connect plumbing inlet

Electrical Point to be considered in Sink unit only

600MM in width & 850 to 900 MM in Height (Depth Depending on Model)
Note: Countertop thickness to be considered after dishwasher height



Depth crosscheck with model specification

Check on model details and plan for dishwasher Door (if built in dishwasher)

Must consider door opening space on ground (Clearance)

Note: crosscheck on profile handles, how to install

Space for detergent tray



Consider the clearance under the sink bowl to access or given space to detergent rack to move

If space for the rack with sink bowl... try to look for door mount rack options



Location of the outlet need to check (bottle trap or nani trap)

*Note: detergent rack and dustbin planned together, kindly consider the space along with sink before proposing

Space for dustbin



Sink outlet point must not touch the lid

Check on sink bowl height and consider the clearance under the sink bowl



Check on outlet point location

Space for Aquaguard inside wall unit



Size of RO with filters need to be considered before constructing cabinet.

Electrical and plumbing points should be considered near to RO.

Plan or check for outlet point



Clearance to fix the RO inside, so that after closing the wall cabinet door should not hit RO. **Tap for RO to be considered in depth**

Space for Aquaguard - under counter RO Model



- Tap Hole on granite for RO tap to fix to collect RO Water.
- Inlet for Ro must plan inside sink unit
- Outlet must connect to sink outlet for waste water to go

Size of RO with filters need to be considered before constructing cabinet.

Check dimensions of RO before planning (Like width of the unit vs Ro size vs bowl depth)

***Note: Electrical and plumbing inlet and outlet points should be considered near to RO.**

Built in HOB



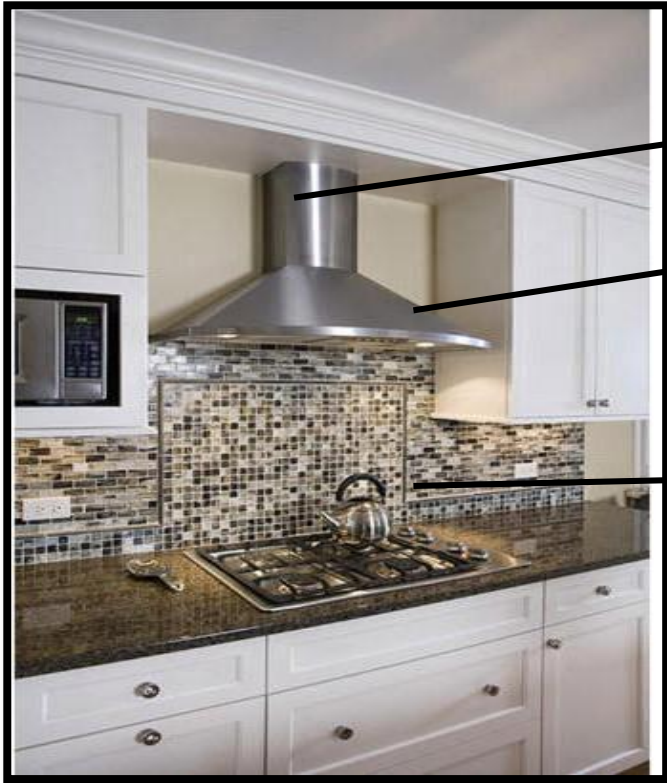
Check space between chimney and hob place

Thickness of granite must crosscheck for hob thickness

Electrical and gas connection should be considered below the hob.

Consider a centerline alignment for both Hob and Chimney. Also ensure that the Chimney size coincides with the Hob dimensions.

Space for chimney



Plan for electrical point.

Size of chimney needs to be considered before planning and check space between cabinets

Size of hob and chimney should match

Core cutting has to be checked at the site to give placement of chimney.

Core cutting size has to be checked at the site to give chimney pipe either 4" or 6".

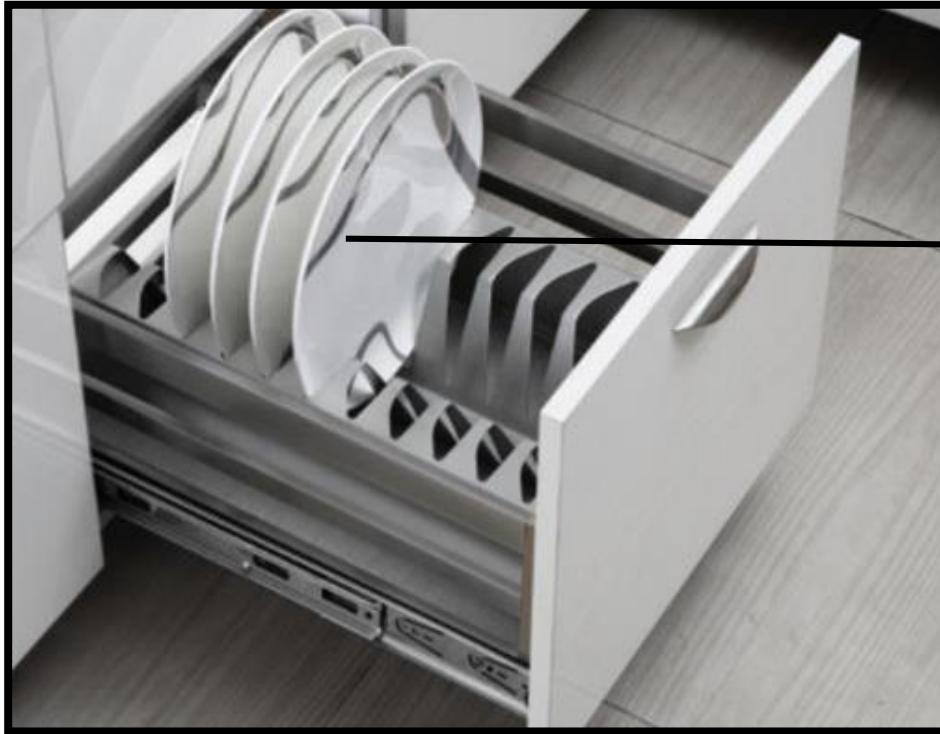


Space between hob and sink



- Minimum 2 feet space has to be provided in between hob and sink placement.
- Electrical and plumbing points should be considered accordingly.
- Sink size has to be checked before making the cabinet

Thali basket placement



- Size of thalis need to be considered before constructing cabinet.
- Proper clearance to put thali inside along with size of the thali
- For handleless kitchen with thali basket, only 2 drawers to be planned

Space for microwave/oven inside cabinet



Size of microwave / oven need to be considered before constructing cabinet.

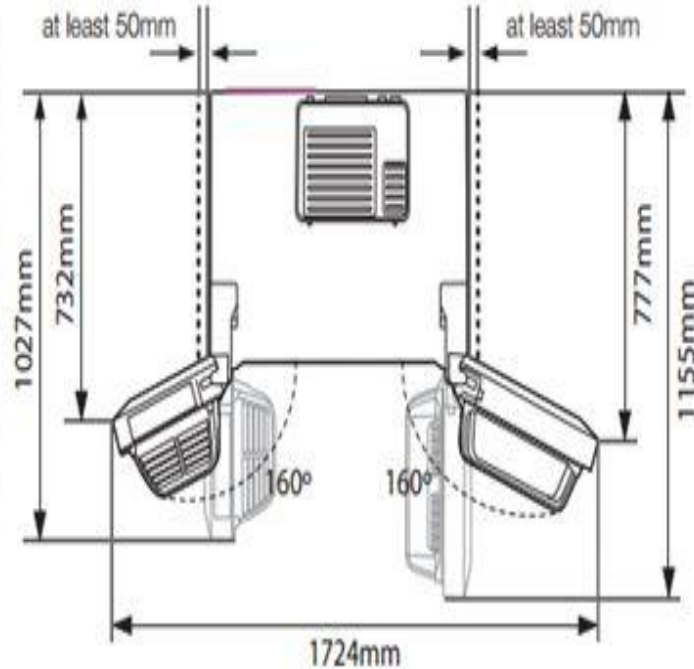
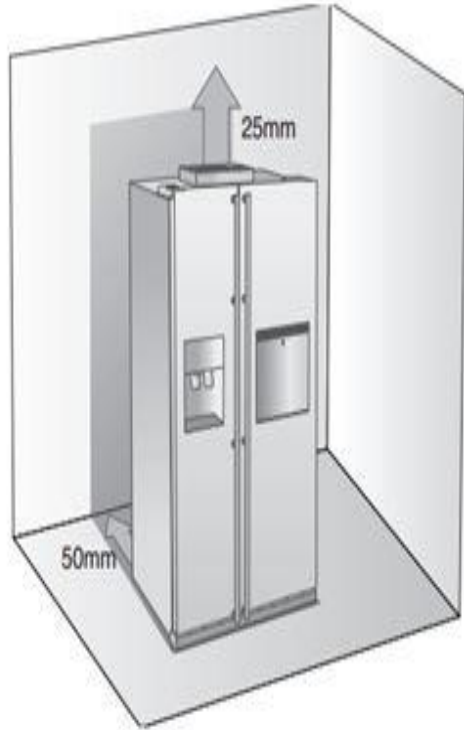
Plug and switch location must check before considering the location of appliances



Consider the size of the microwave / OTG to place inside cabinet (Freestanding microwave)

Confirm size before masking to understand the location of appliance

Space for refrigerator



- Size need to considered before constructing cabinet next to it, for opening space
- Switch and plug location must plan or cross check on electrical



iNTERIOR
C O M P A N Y . C O M
— By Square Yards —

Thank You.....!