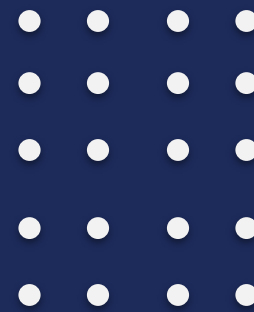


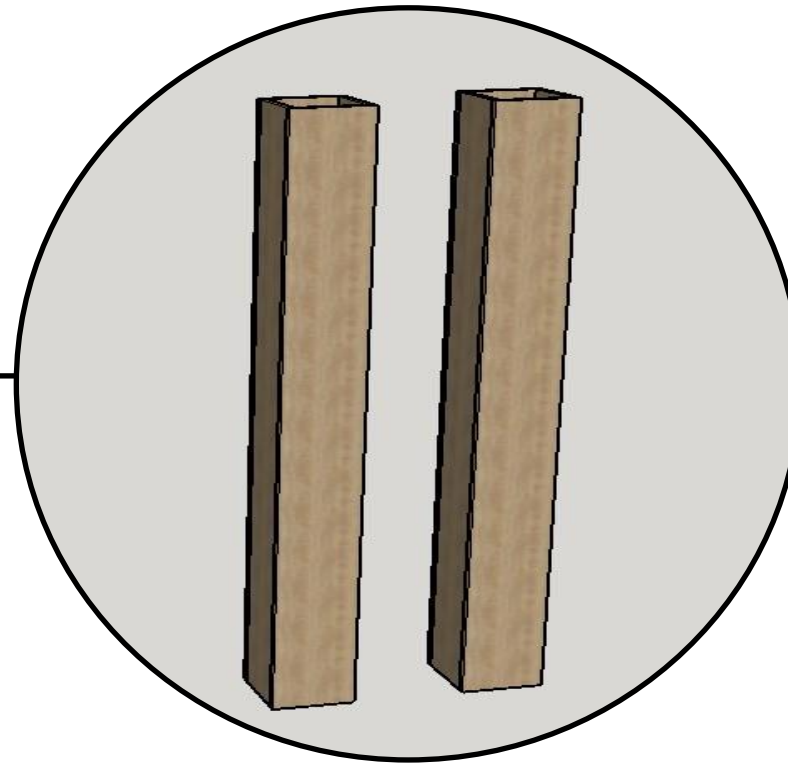


INCO – Rafters & Pillars





| Dimensions | Minimum | Maximum | Remarks |
|------------|------------------------------|-------------|--|
| Width | 100, 150, 200, 250, 300 | 100 to 300 | The Width of the pillar is adjustable from 100 to 300. |
| Depth | 100, 150, 200, 250, 300 | 100 to 300 | The Depth of the pillar is adjustable from 100 to 300. |
| Height | 1200, 1500, 1800, 2100, 2400 | 300 to 2400 | The Height of the pillar is adjustable from 300 to 2400. |

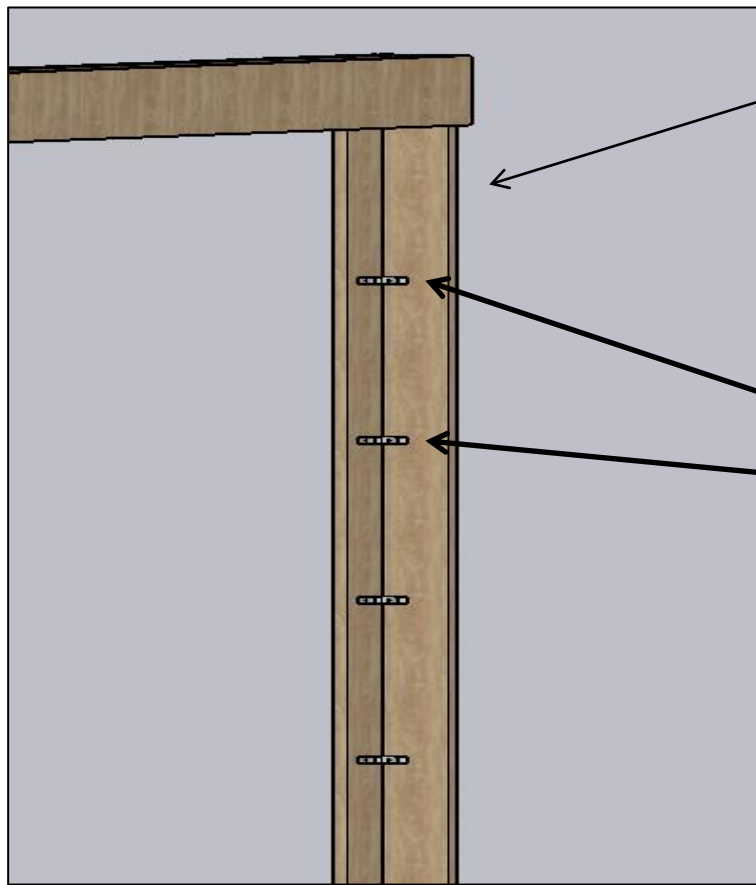


NOTE: The clear space between the pillars should be minimum of 100mm.

INSTALLATION GUIDE FOR PILLARS

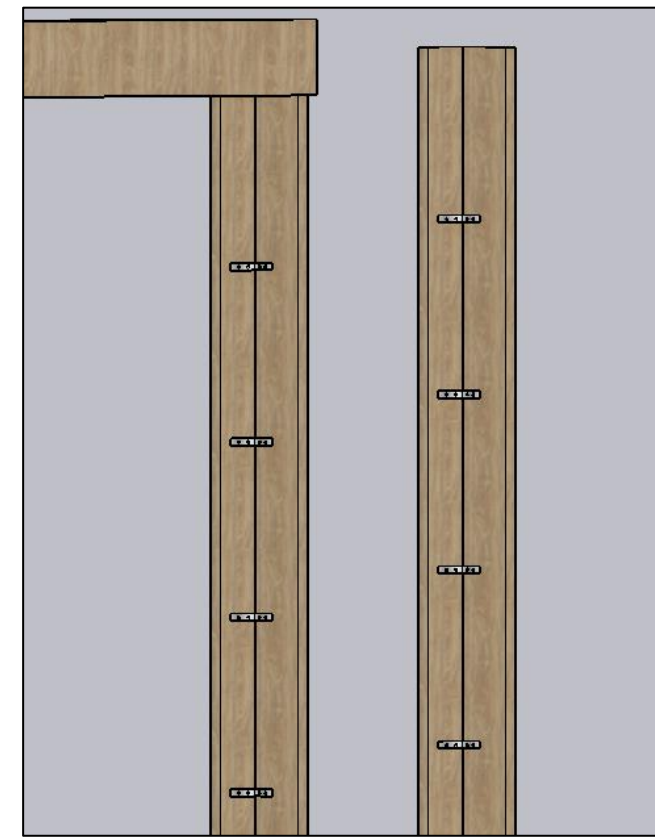
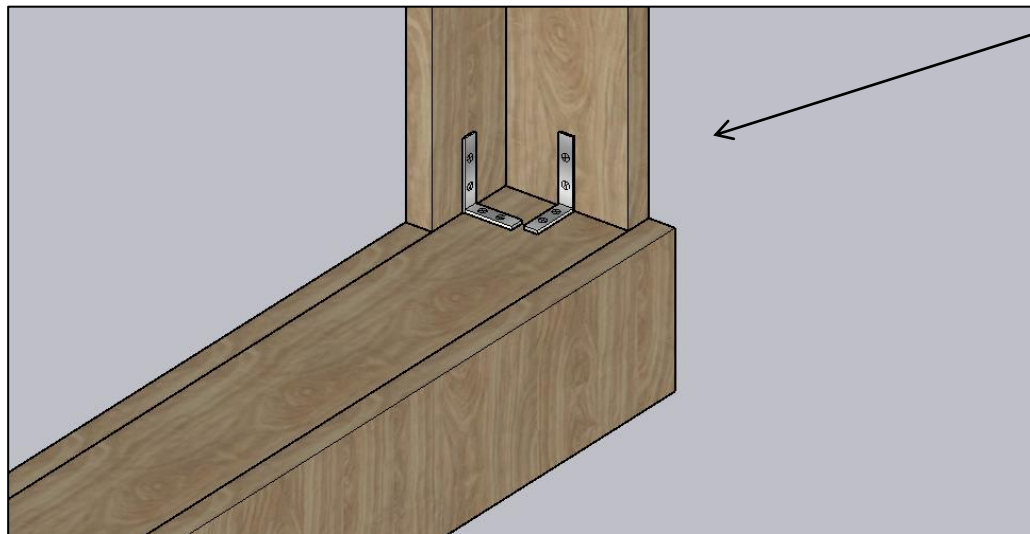
STEP-1

Two sides of vertical pillar (One set) will be fixed to the each other using L Clamps (10 to 15 No's based on the height) as shown in Fig.



STEP-2

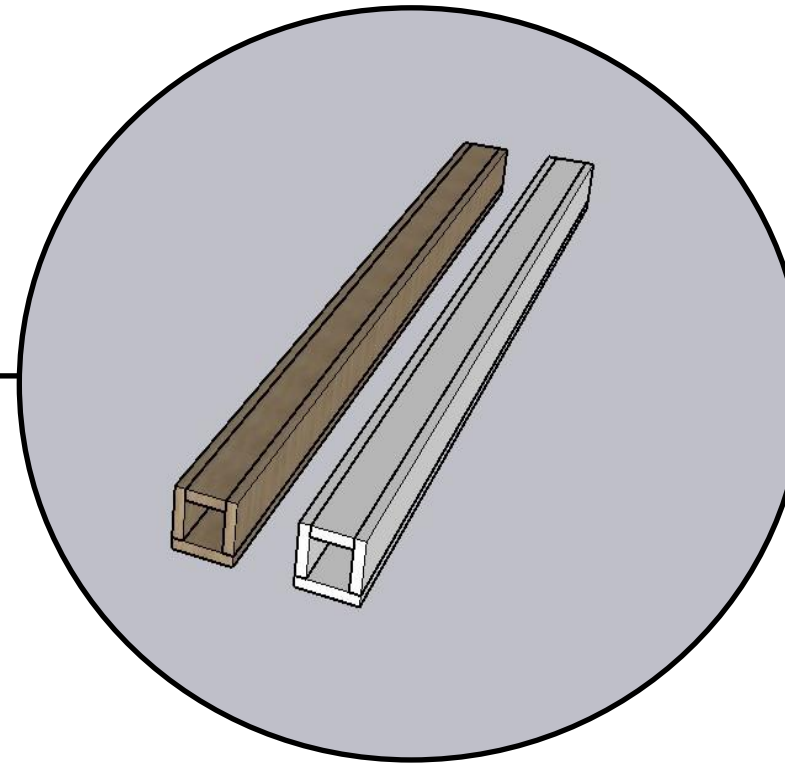
The one set of vertical pillar will be fixed to the top & bottom horizontal rafter using L Clamps as shown in Fig.



CEILING RAFTERS - RAF-18C & RAF-18C-CF



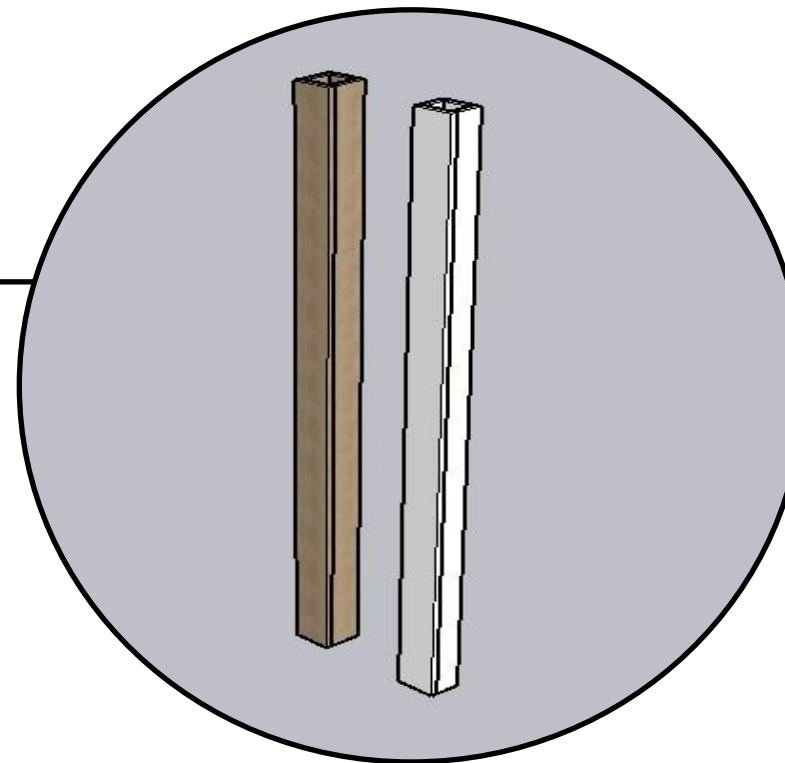
| Dimensions | Minimum | Maximum | Remarks |
|------------|--|-------------|---|
| Width | 70, 100, 150, 200 | 70 to 200 | The Width of the rafter is adjustable from 70 to 200. |
| Depth | 750, 900, 1200, 1500, 1800, 2100, 2400 | 300 to 2400 | The Depth of the rafter is adjustable from 300 to 2400. |
| Height | 50, 100, 150, 200 | 50 to 200 | The Height of the rafter is adjustable from 50 to 200. |



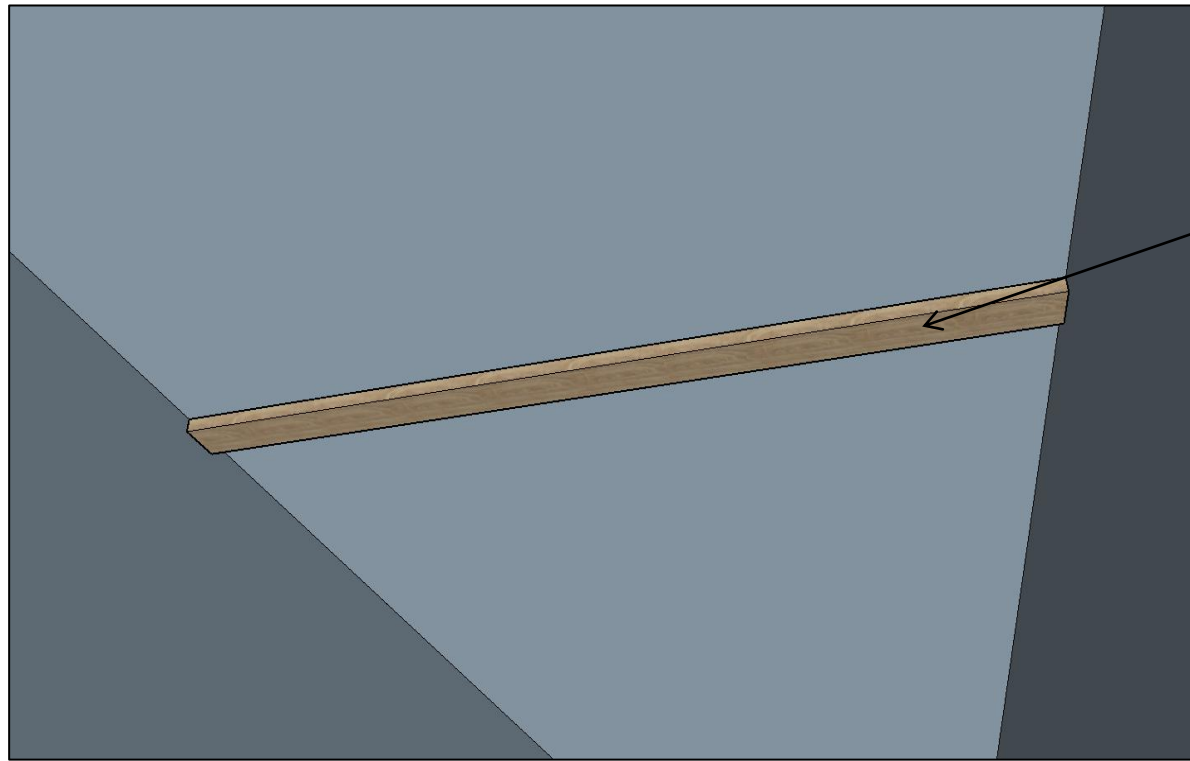
WALL RAFTERS - RAF-18W & RAF-18W-CF



| Dimensions | Minimum | Maximum | Remarks |
|------------|------------------------------|-------------|--|
| Width | 70, 100, 150, 200 | 70 to 200 | The Width of the rafter is adjustable from 70 to 200. |
| Depth | 50, 100, 150, 200 | 50 to 200 | The Depth of the rafter is adjustable from 50 to 200. |
| Height | 1200, 1500, 1800, 2100, 2400 | 300 to 2400 | The Height of the rafter is adjustable from 300 to 2400. |

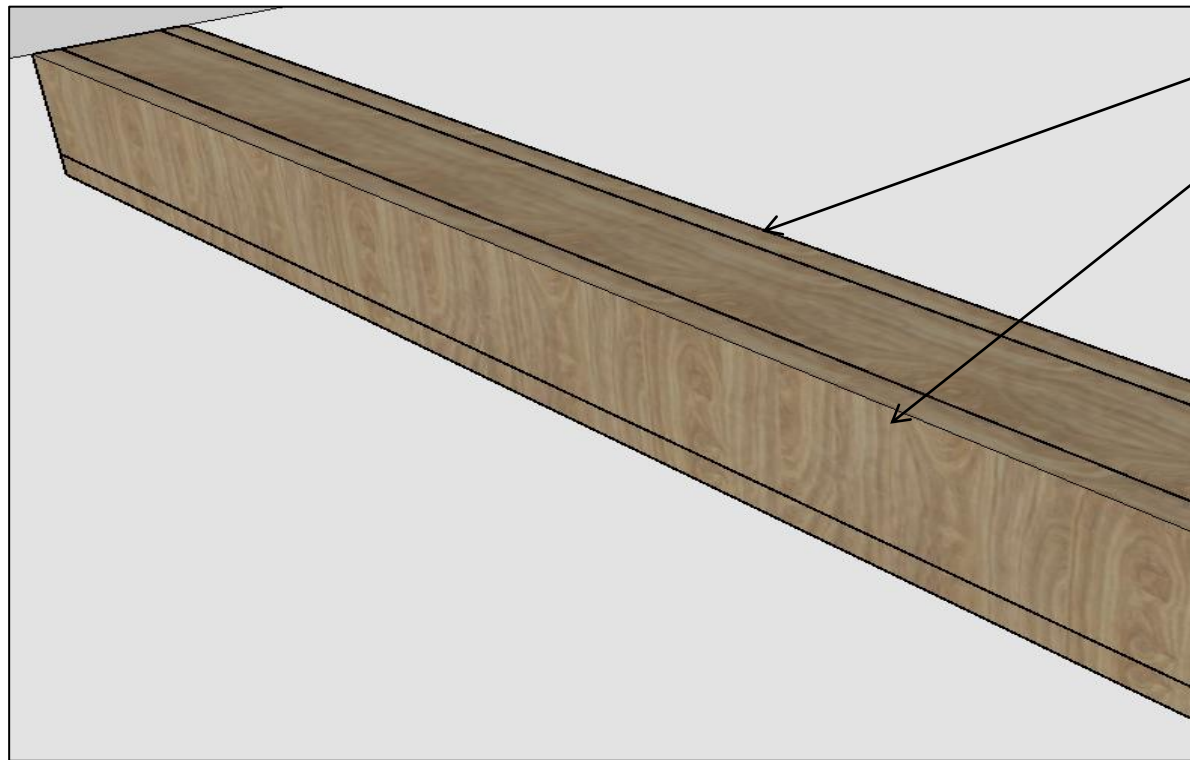


INSTALLATION GUIDE FOR RAFTERS



STEP-1

Wooden Panels are screwed to Ceiling or Wall.



STEP-2

Rafters will be fixed on sides of the panel using headless nails.





Thank You

