



MODULAR BED DESIGN DETAILS



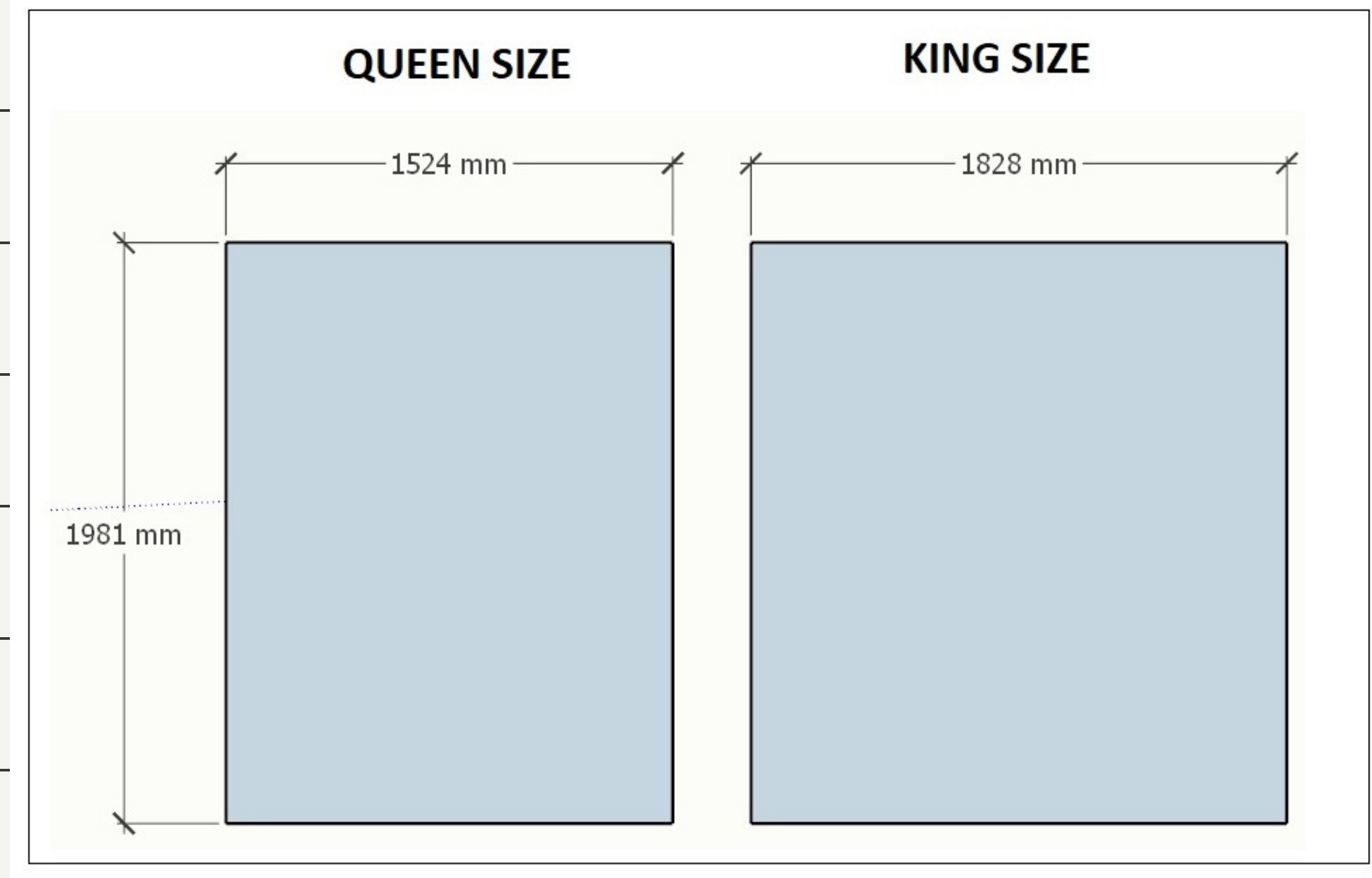
Why Modular Bed?



- A good night's sleep is often credited to the type of mattress you invest in, but a quality bed frame also plays an equally important role
- The bed frame is the structure that goes beneath your mattress and holds the mattress in place while supporting its considerable weight

Mattress Size

Si No	Mattress Size	Width (mm/in)	Depth (mm/in)
1	Queen	1524 (60")	1981 (78")
2	King	1828 (72")	1981 (78")





Types of Modular Beds

1

FRAME BED

Modular bed without storage supported with frames.

2

BED WITH STORAGE

Modular bed with storage with four flaps.

3

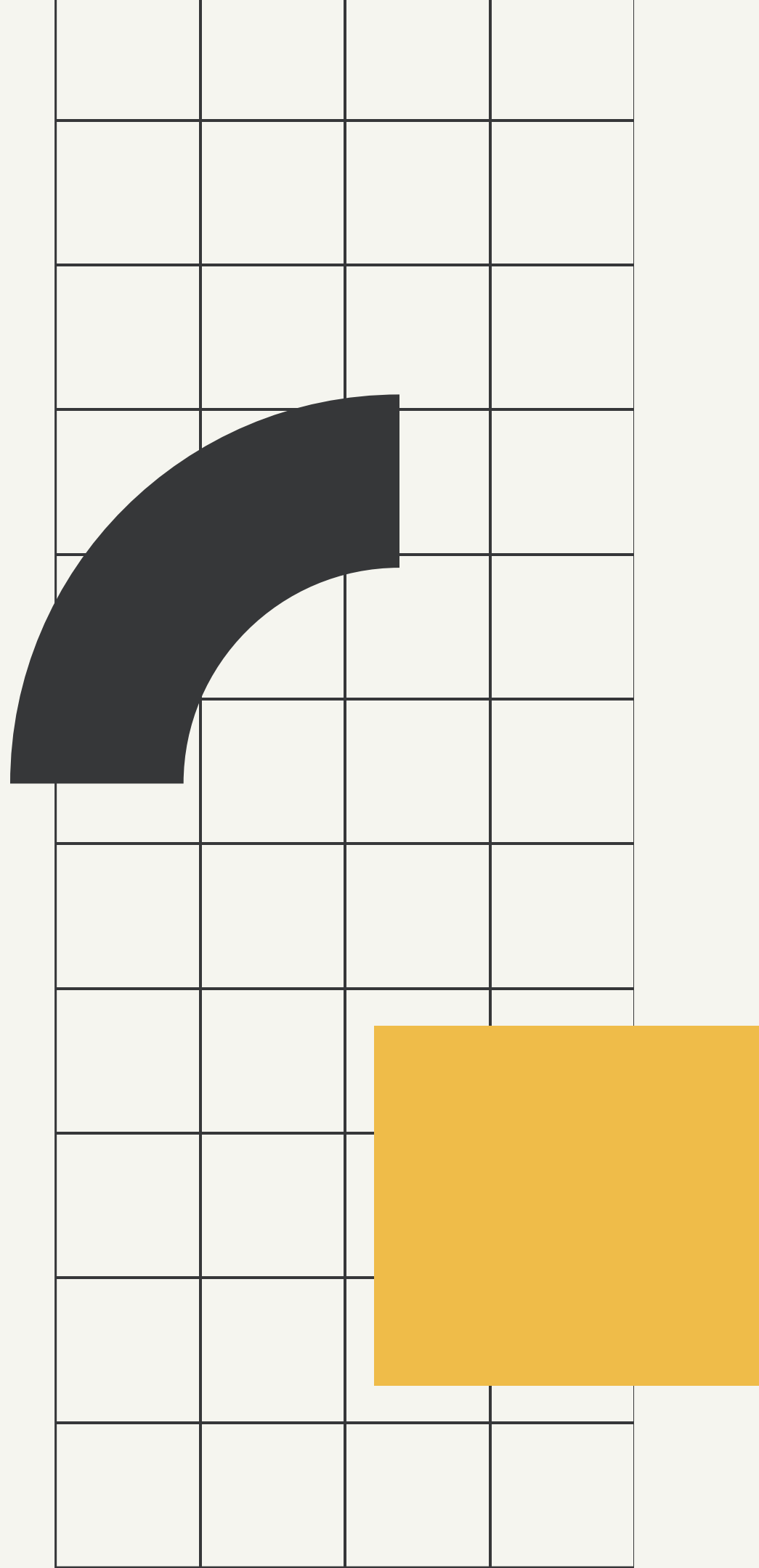
BED WITH HALF LIFT UP STORAGE

Modular bed with four partition storage with double lift up.

4

BED WITH FULL LIFT UP STORAGE

Modular bed with four partition storage with single lift up.



FRAME BED – 1.1

- Frame bed 1.1 has an access for cleaning underneath the bed
- This type of bed lies under Economical range.



Specifications

Cot Materials

Outer Frame : 18mm HDHMR with Laminate

Supporting panels: 18mm Inner White MR PLY

Cot Dimensions (In mm)

Height: 400

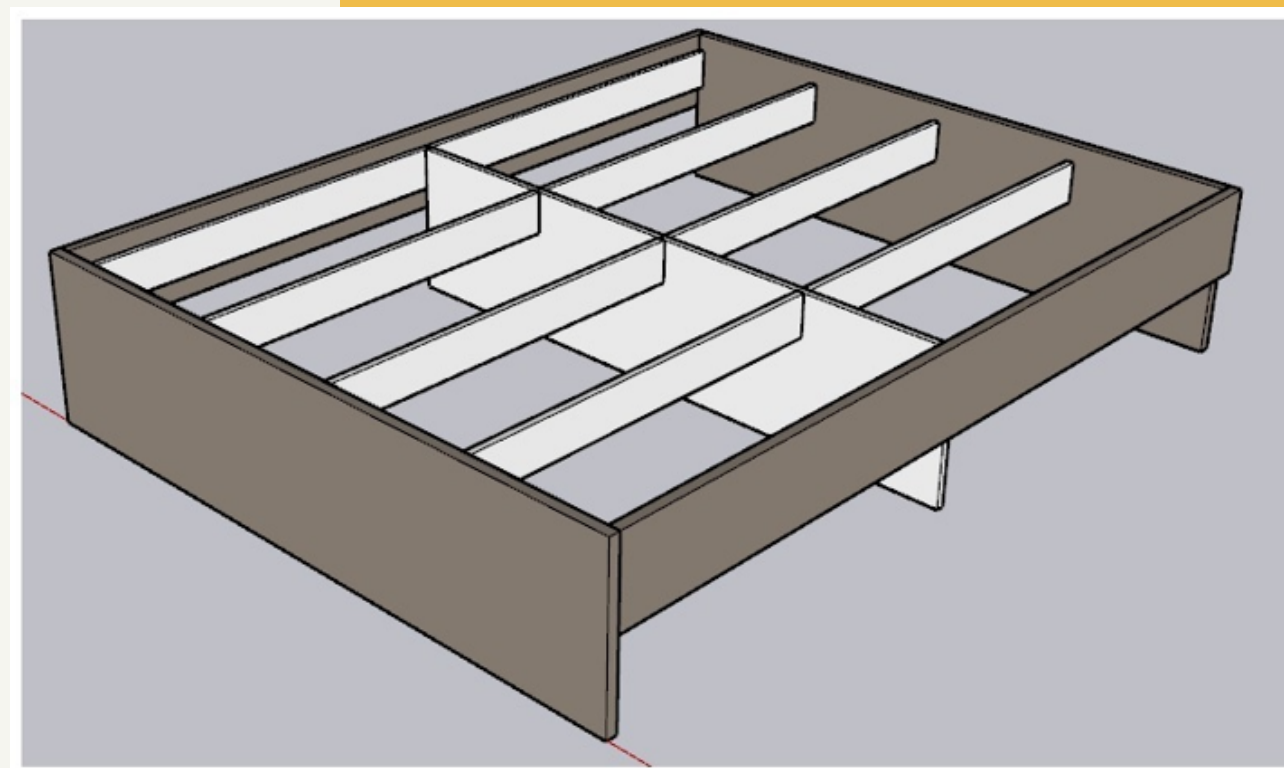
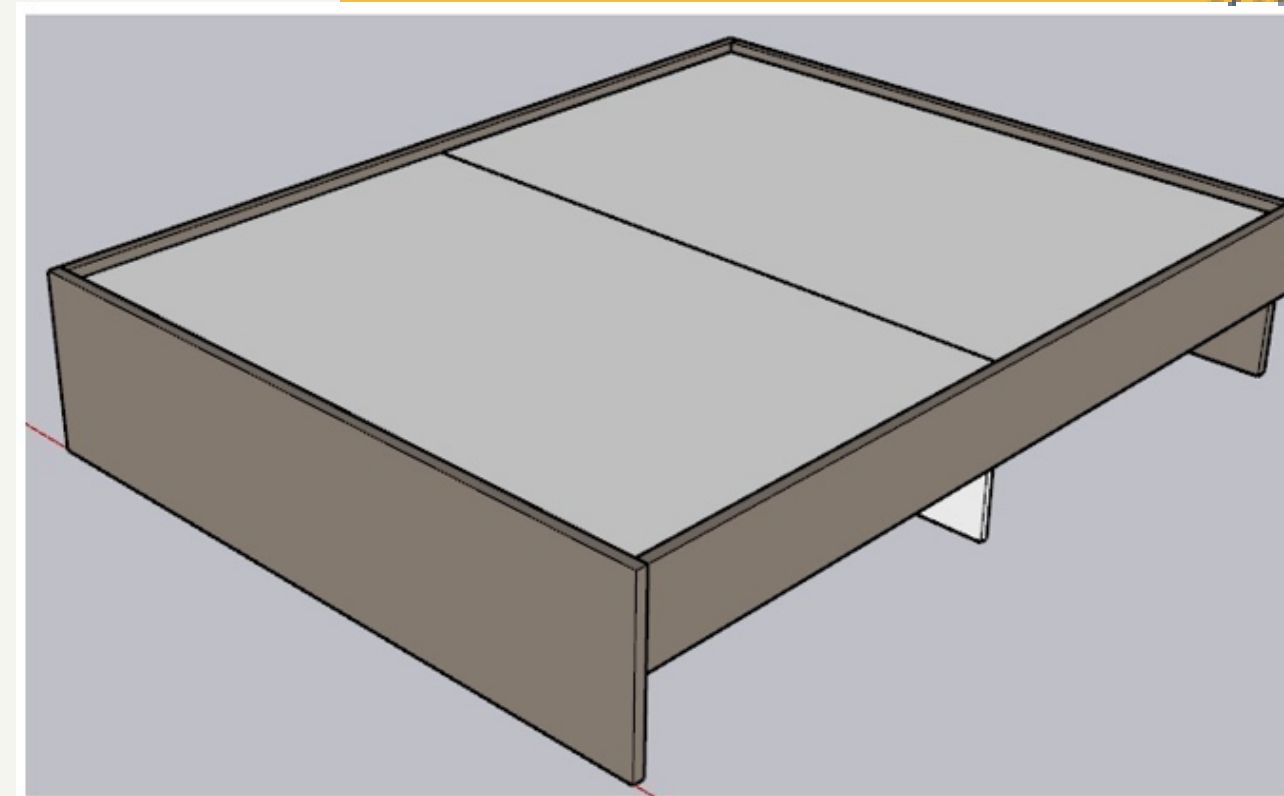
Width: 1580 & 1885

Depth: 2040

Tentative Cost

Queen Size bed with SF Laminate finish : Rs: 28,647 /-

King Size bed with SF Laminate finish : Rs: 32,737 /-

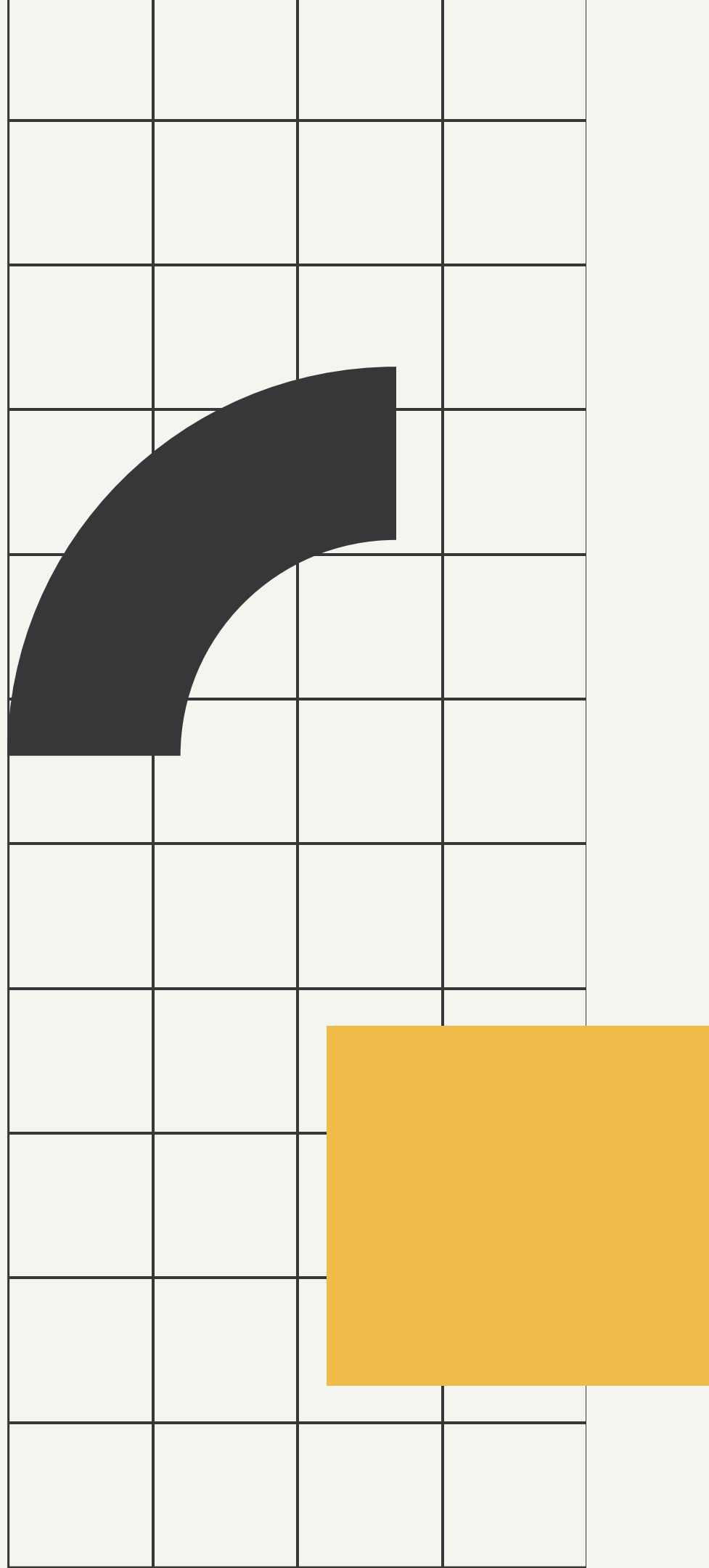


***** Only specified core materials are applicable for cots, Other materials are not recommended**

***** Middle support panel has to be chamfered**

FRAME BED - 1.2

- Beds without storage are popular choices in large master bedrooms with plenty of other storage options.
- Frame beds are supported with intermediate ply panels which will ensure the stability of the bed





Specifications

Bed Materials

Outer Frame : 18mm HDHMR with Laminate

Supporting panels: 18mm Inner White MR PLY

Bed Dimensions (In mm)

Height: 400

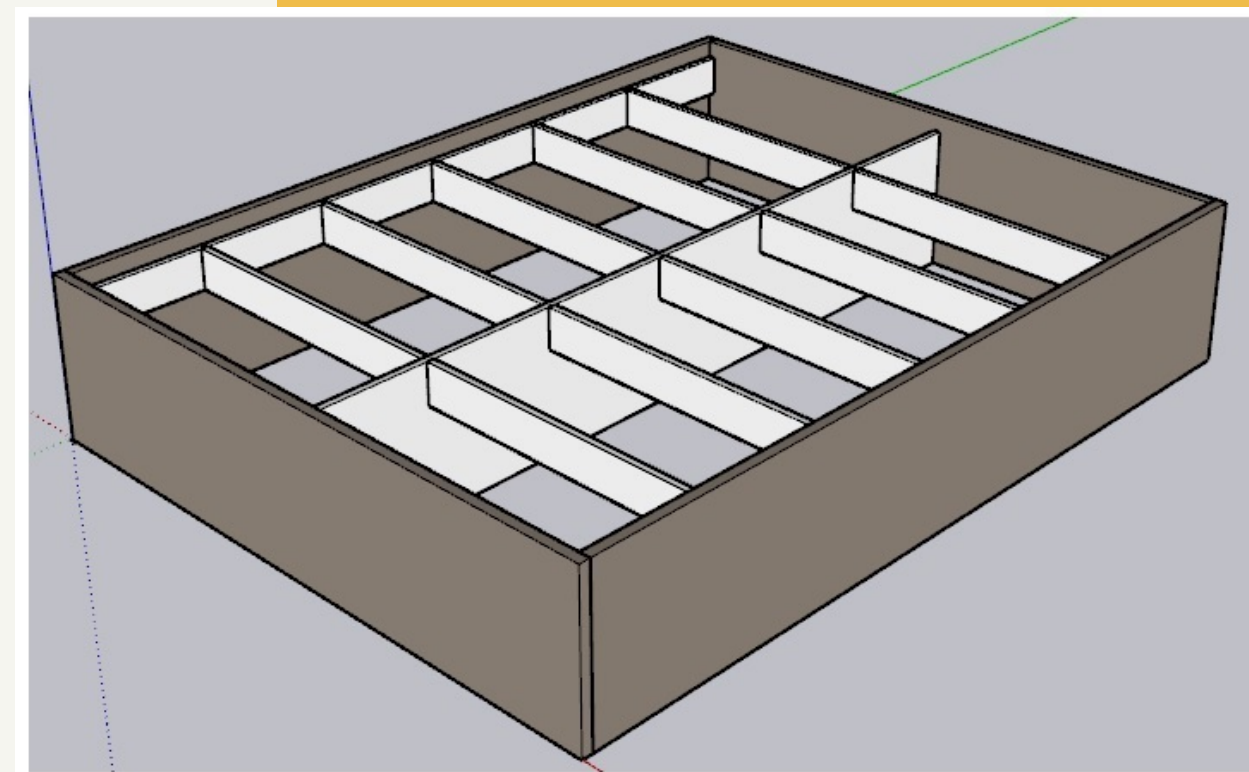
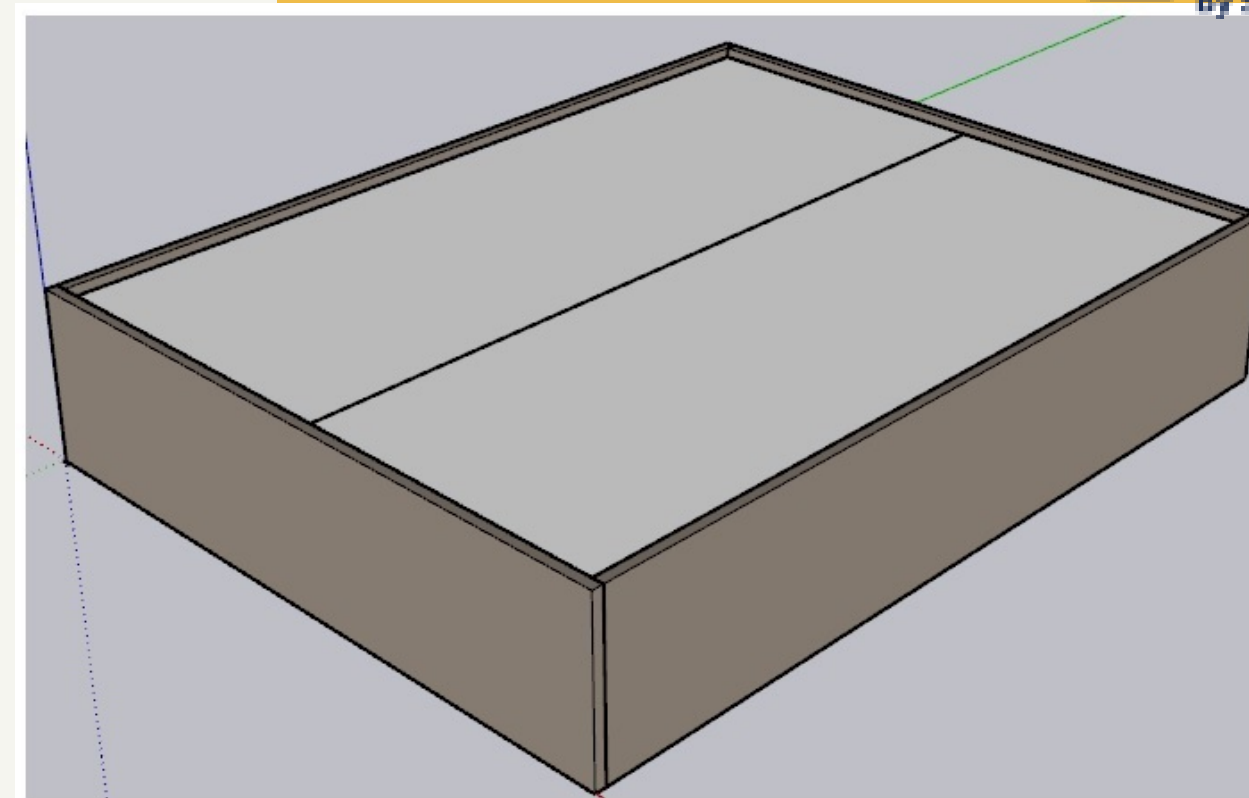
Width: 1580 & 1885

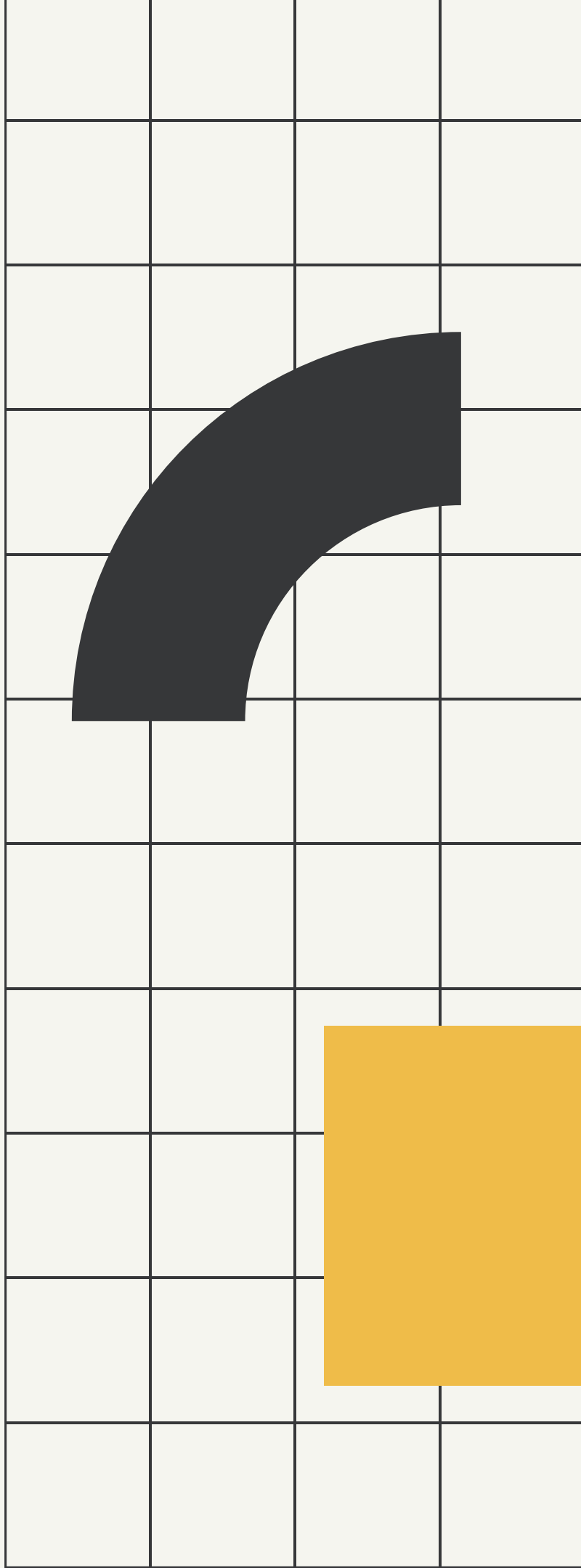
Depth: 2040

Tentative Cost

Queen Size bed with SF Laminate finish : Rs: 34,823 /-

King Size bed with SF Laminate finish : Rs: 39,081 /-





BED WITH STORAGE

- To maximize the use of the bed, consider storage beds.
- This type of beds makes use of hinges to open the mattress panel and uncover the storage space underneath.
- For an easy access CNC pocket cut is recommended



Specifications

Cot Materials

Outer Frame : 18mm HDHMR with Laminate

Supporting panels: 18mm Inner White MR PLY

Cot Dimensions (In mm)

Height: 400

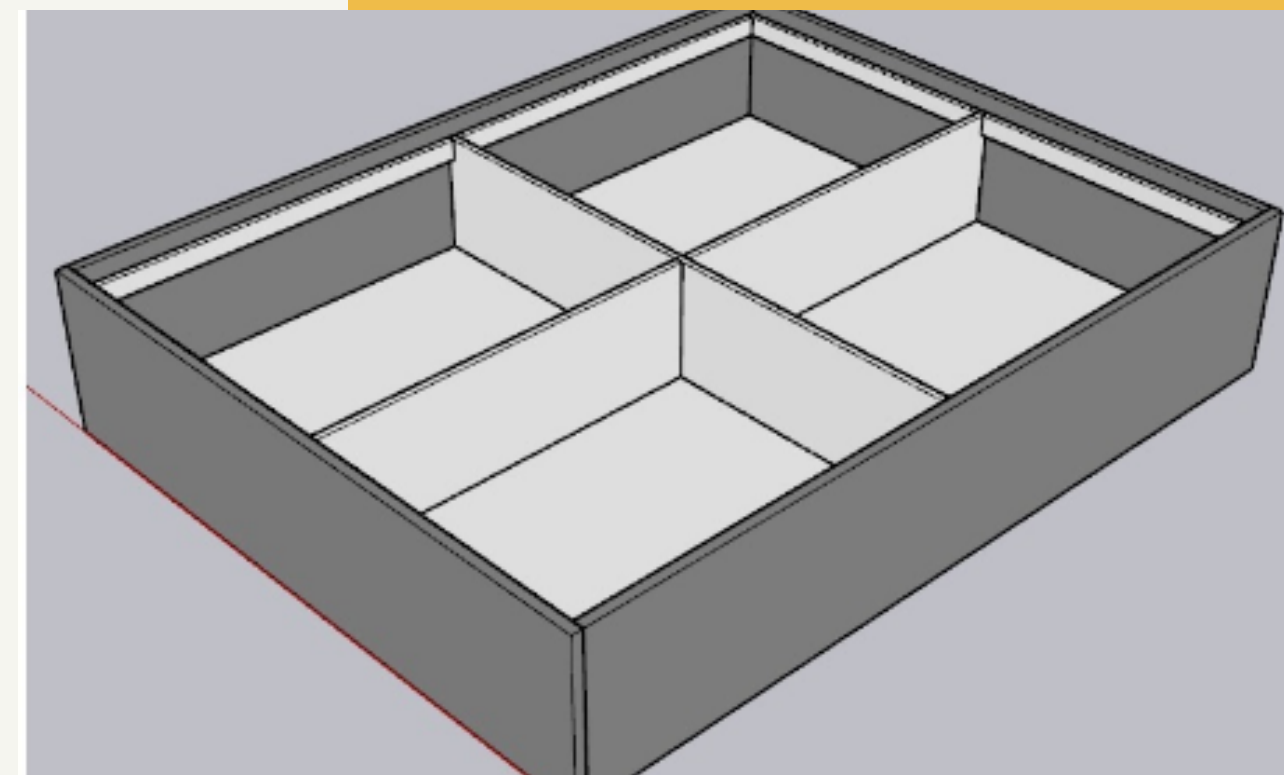
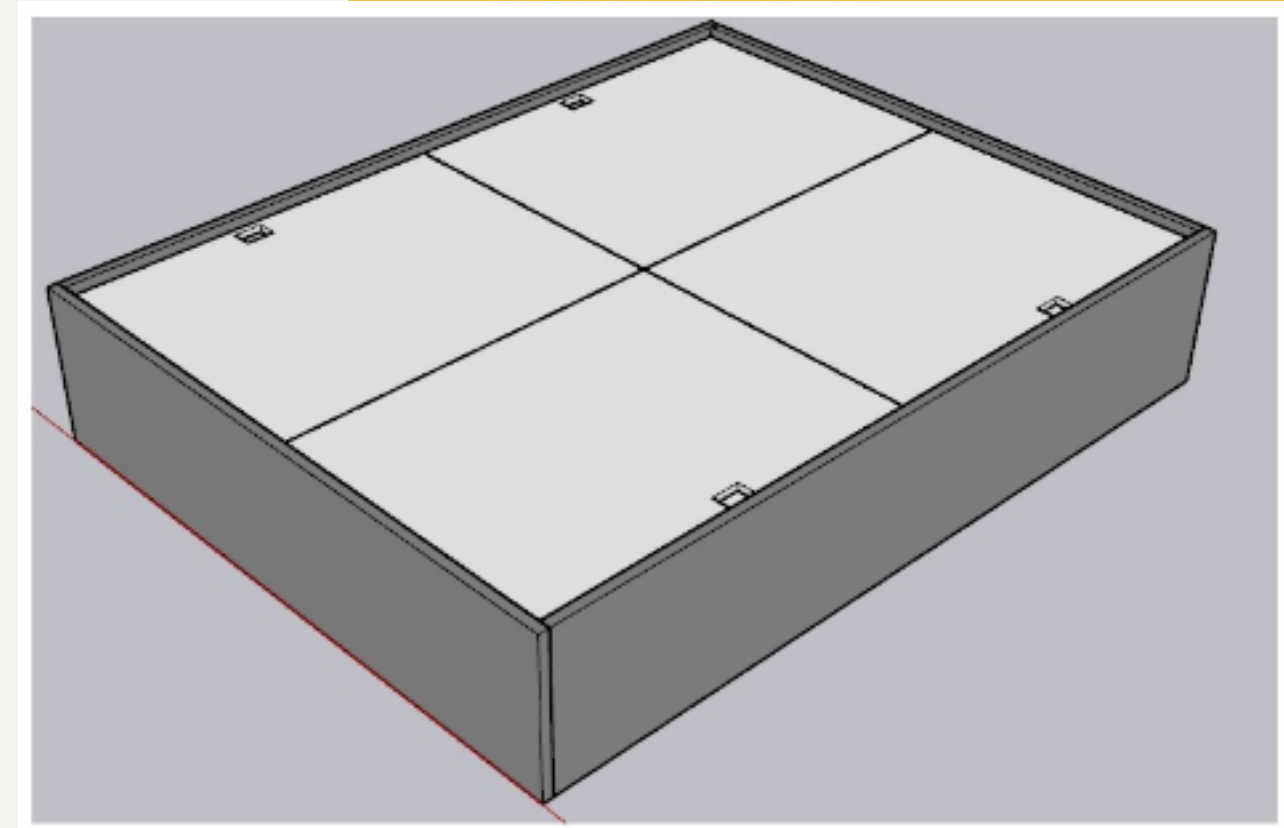
Width: 1580 & 1885

Depth: 2040

Tentative Cost

Queen Size bed with SF Laminate finish - Rs: 49,538 /-

King Size bed with SF Laminate finish - Rs: 56,588 /-



***** Only specified core materials are applicable for cots, Other materials are not recommended**

***** CNC pocket cut for flap shutters**

COT WITH HALF LIFT UP STORAGE

- The lift-up storage bed is an ergonomic design and makes use of levers to suspend the mattress panel and uncover the storage space underneath.
- These designs are made with special gas pumps which give clear access to the storage



Specifications

Cot Materials

Outer Frame : 18mm HDHMR with Laminate

Supporting panels: 18mm Frosty White MR PLY

Cot Dimensions (In mm)

Height: 400, 450 & 500

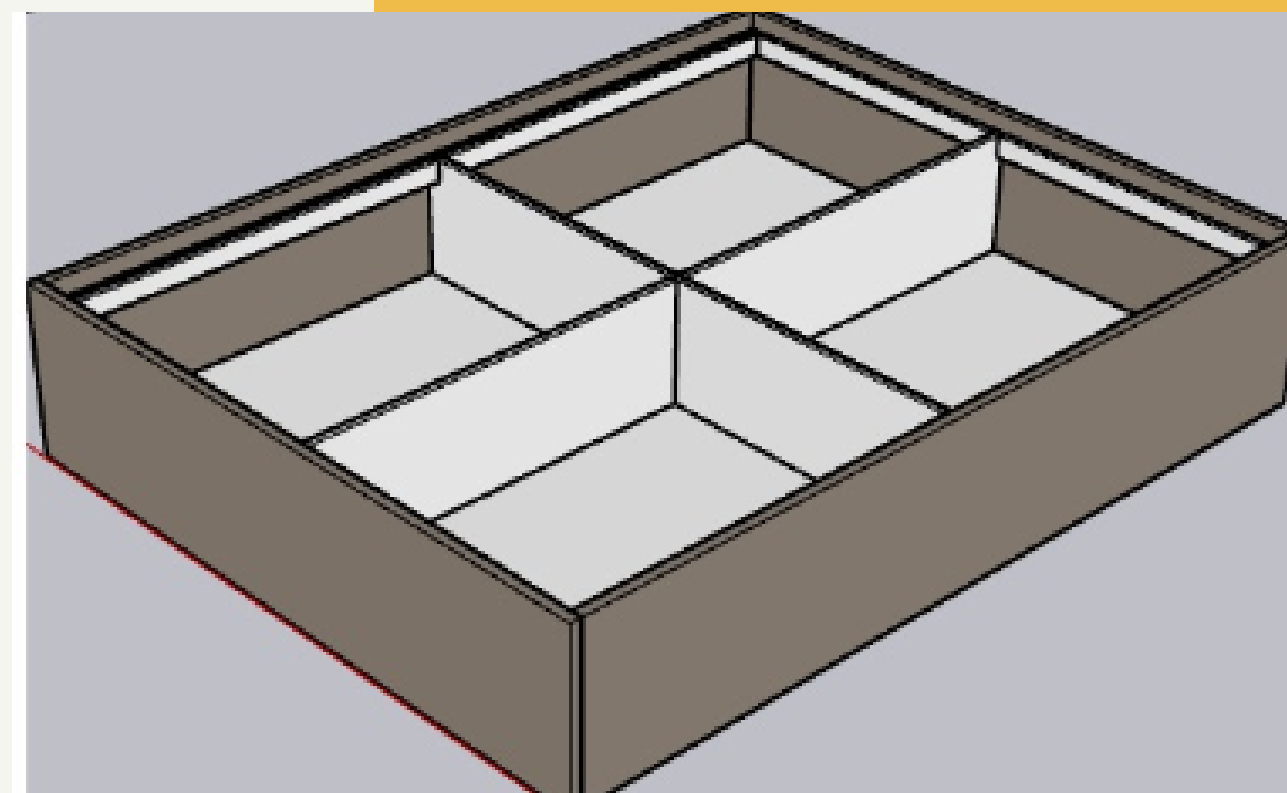
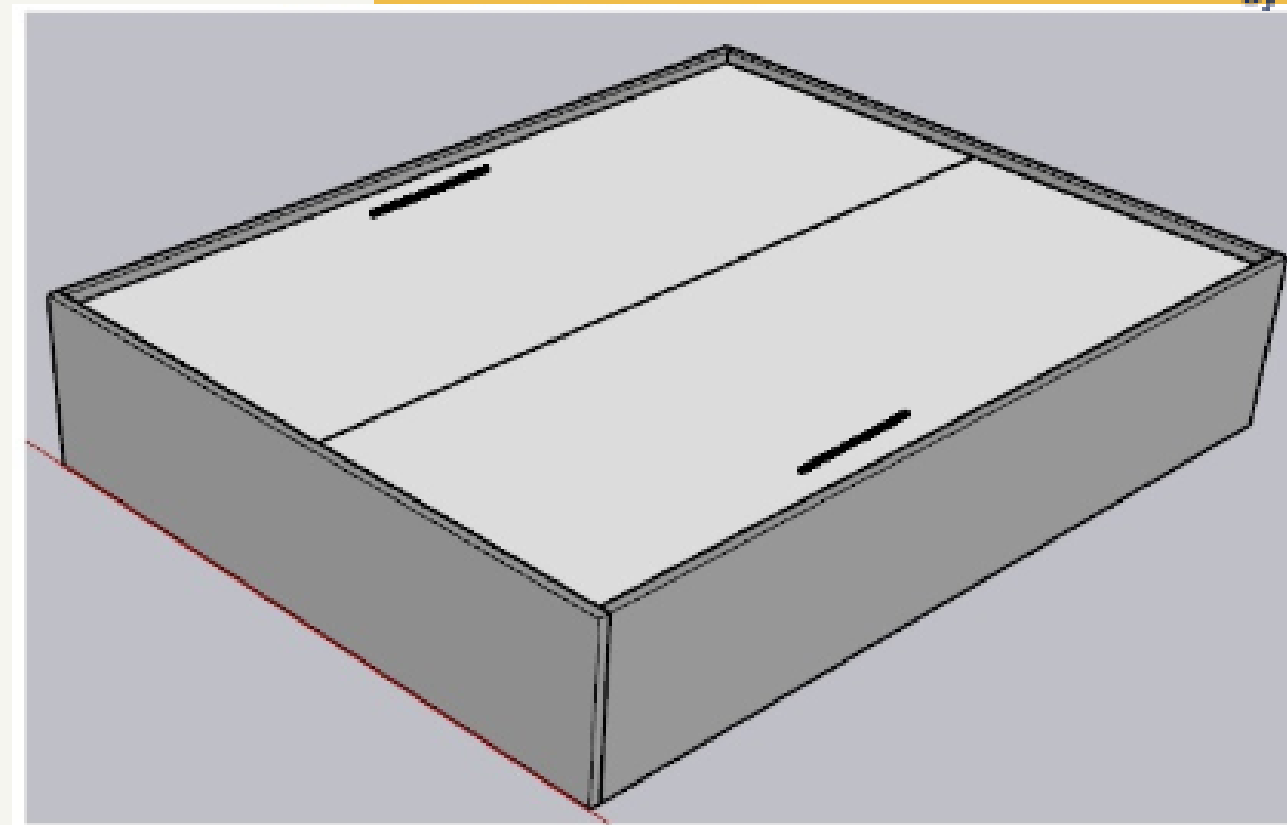
Width: 1580 & 1885

Depth: 2040

Tentative Cost

Queen Size bed with SF Laminate finish - Rs: 53,659/-

King Size bed with SF Laminate finish - Rs: 60,938 /-



***** Only specified core materials are applicable for cots, Other materials are not recommended**

***** CNC pocket cut for lift up panel**

COT WITH FULL LIFTUP STORAGE

- The lift-up storage bed is an ergonomic design and makes use of levers to suspend the mattress and uncover the storage space underneath.
- These high-tech designs are made with gas springs fixed on metal frames (Fig -1) and fitted with a piston rod that elevates the mattress with ease.
- With the massive internal storage space, one can stow away all of the hefty things that take up too much space in the wardrobe.
- For an easy access CNC pocket cut is recommended

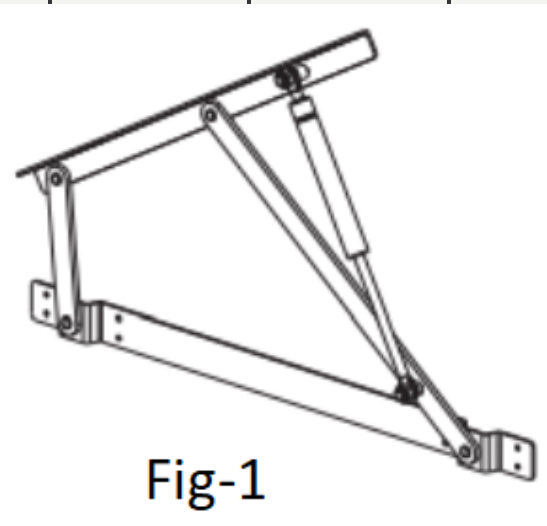


Fig-1



Specifications

Cot Materials

Outer Frame : 18mm HDHMR with Laminate

Supporting panels: 18mm Inner White MR PLY

Cot Dimensions (In mm)

Height: 400

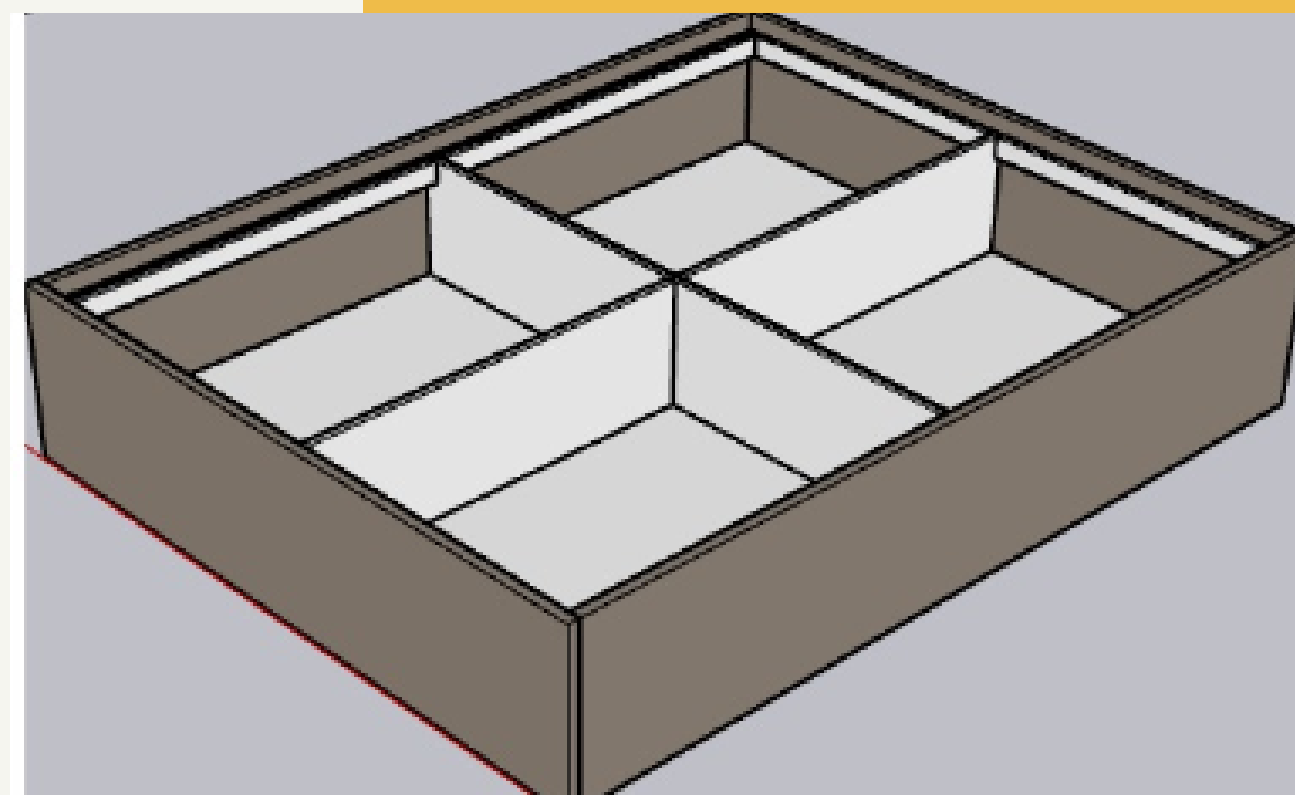
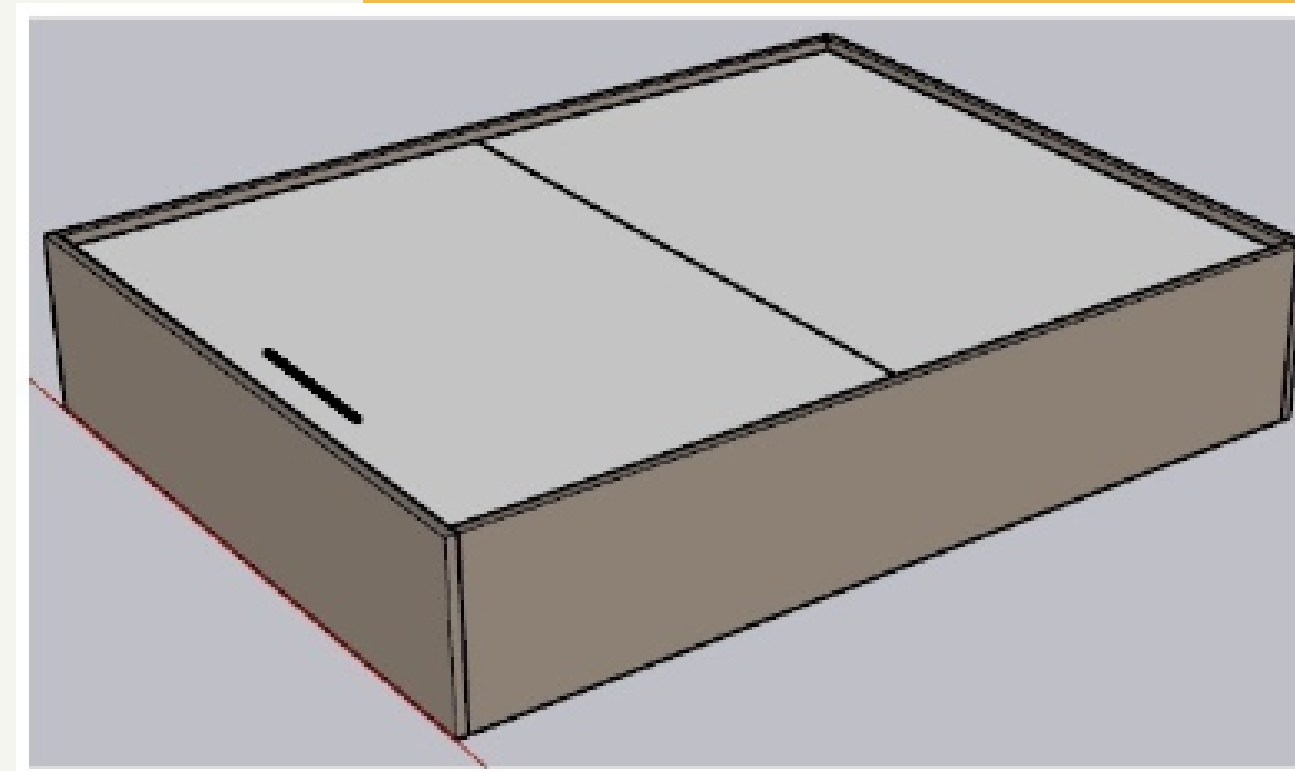
Width: 1580 & 1885

Depth: 2040

Tentative Cost

Queen Size bed with SF Laminate finish - Rs: 54,469/-

King Size bed with SF Laminate finish - Rs: 61,519 /-



***** Only specified core materials are applicable for cots, Other materials are not recommended**

***** CNC pocket cut for lift up panel**



Thank you!

