



TopLine L

Introducing TopLine - L



Perfect wardrobe. Perfect day.
Sliding door system TopLine L

Technik für Möbel


Hettich

Fascin[action] – Enjoy comfort

Convenience in a
new class

TopLine L lets you
create sliding doors
in a new dimension.

Perfect wardrobe. Perfect day.
Sliding door system TopLine L

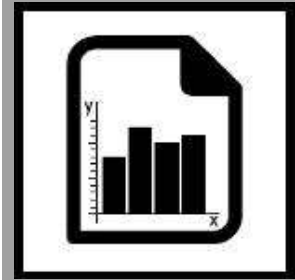
Technik für Möbel


Hettich



TopLine L – All the facts

Technical Specification



- 2-track, top-running sliding door system
- For Wooden doors and Aluminium framed doors
- Overlay door position
- Door weight: up to 50 kg
- Door height: up to 2,600 mm
- Door width: 550 – 1,500 mm
- Door thickness:
 - EB32-EB42 adjustable: 18 – 30 mm
 - EB47-EB62 adjustable: 35 – 50 mm
- Height adjustment: ± 2 mm
- Door overlay adjustment (max. 25mm)
- Widely opened doors, through offset doors (34 mm offset) / optional: flush doors (0 mm offset)
- Silent System in closing, opening and colliding direction
- Tested to DIN EN15706, Level 3 for 40,000 opening-closing cycles

TopLine L Product Benefits

When sliding becomes passion

- Improved version – NEXT GENERATION OF TOPLINE 22
- Reduced noise
- Silky smooth movement: almost inaudible and luxuriously smooth running action.
- Constant high level running performance – no wheel flattening after long immobilisation time.



The new sliding standard for smooth opening and closing

- Soft opening and soft closing available.

TopLine L Product Benefits

Ergonomically efficient

- Zero offset. Easy access to all cabinet internals.
- Ideal use of storage space, perfectly reachable.
- The smooth self-closing unit keeps the door reliably held in place while open.



In the background for the big show

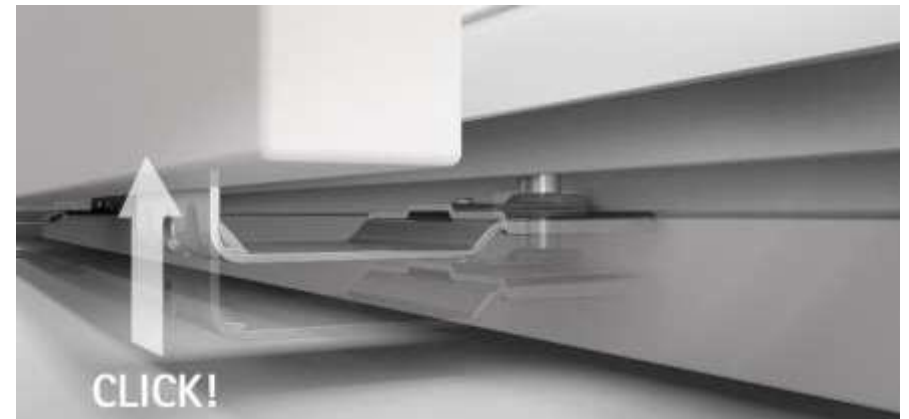
- Up to 1500 mm wide doors with door weights up to 50 kg.
- Door thickness selectable between 18 and 50 mm – with adjustable runner and guide profiles.

Topline L Installation

TopLine L Product Benefits

When installation becomes an experience

- Intuitive and safe door installation through stacked running tracks.
- Fast and toolless clip-on guiding installation.
- Setting down prepared doors on the floor leaves the system undamaged.



The new benchmark for silent system installation

- End caps protect against dust and ensure a perfect finish.
- Easy mounting of the Silent System soft-closing unit in the running profile – inserted from above or laterally.

TopLine L: System Components

1 Runner and guide components



Sliding door Kit for 2 and 3 door system

For door thickness range:
18-30 & 35-50 mm

2 Silent System



Door Damping System

Soft closing kit

Soft opening kit

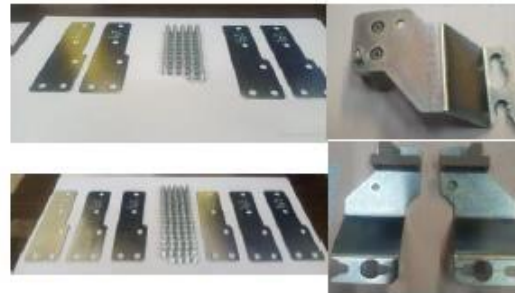
Anti collision kit

3 Runner and guide profiles



Runner & Guide Profile set

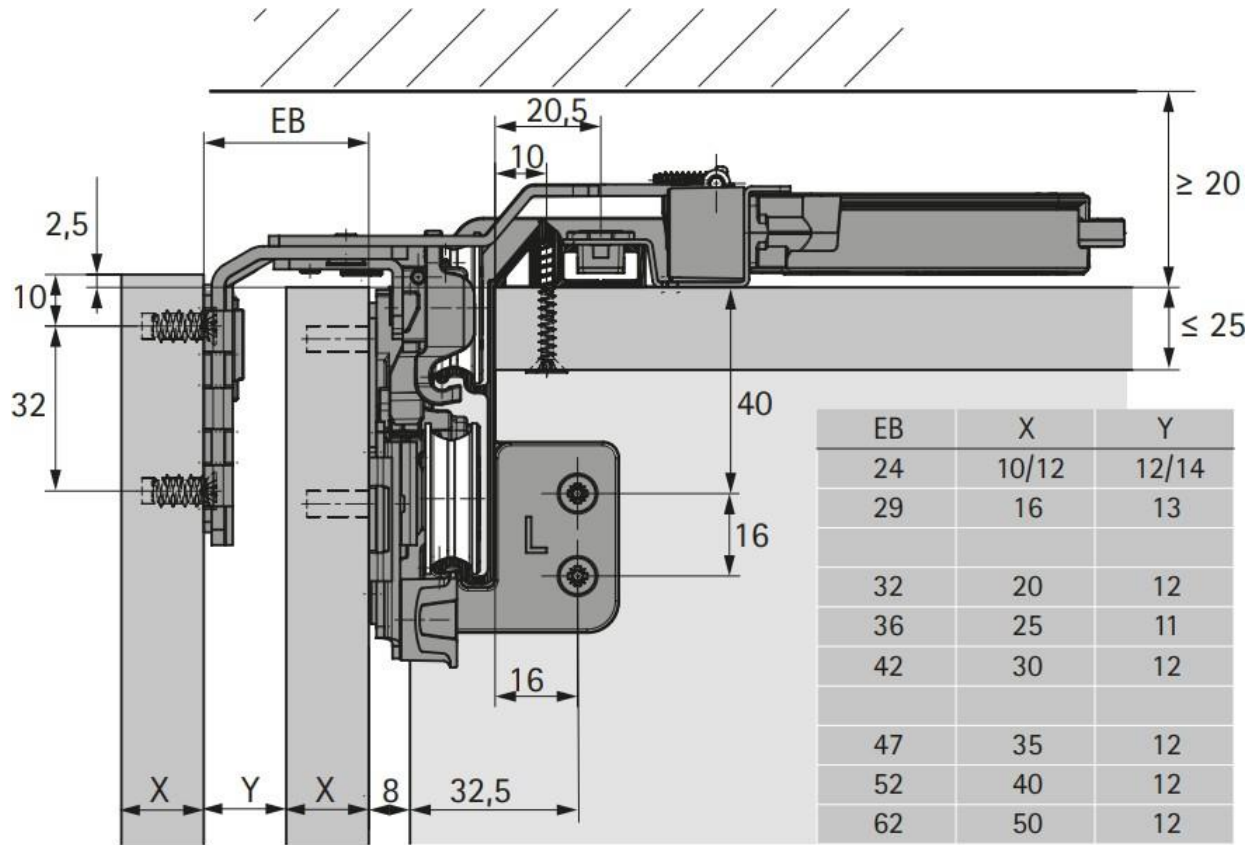
For 3000 mm length



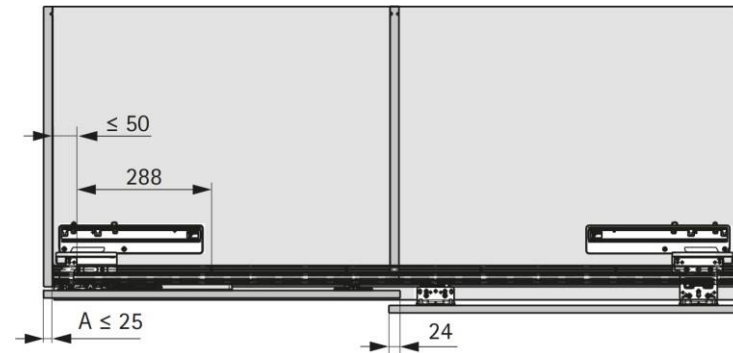
Upgraded Set for Aluminium
Framed Doors

TopLine L: Carcase Planning & Installation Dimensions

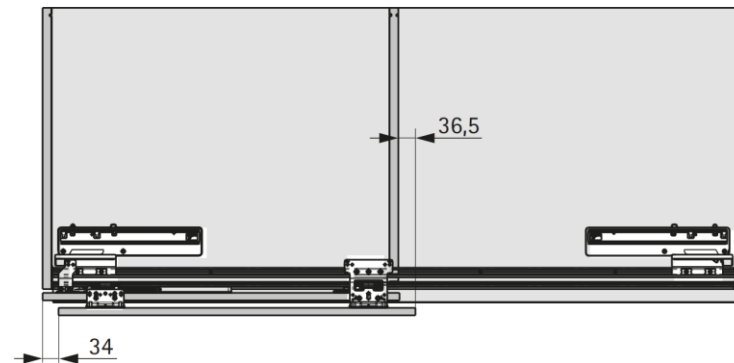
**Installation dimensions of Top Section
(Door Kit, Profile & Dampener)**



Top view of TopLine L Installed Wardrobe



Door
Closed
posture

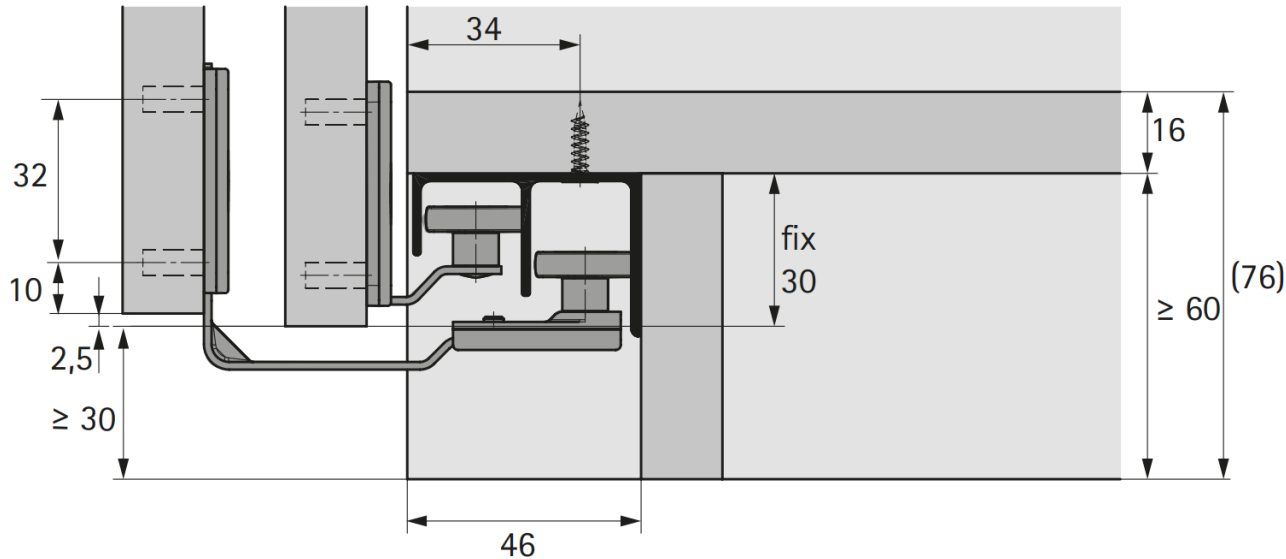


Front most
Door Open
posture

TopLine L: Carcase Planning & Installation Dimensions

Installation dimensions of Bottom Section

STB 11 Screw from Bottom



- Aesthetically best bottom option
- Ideal for OEM.
- Factory made Wardrobes

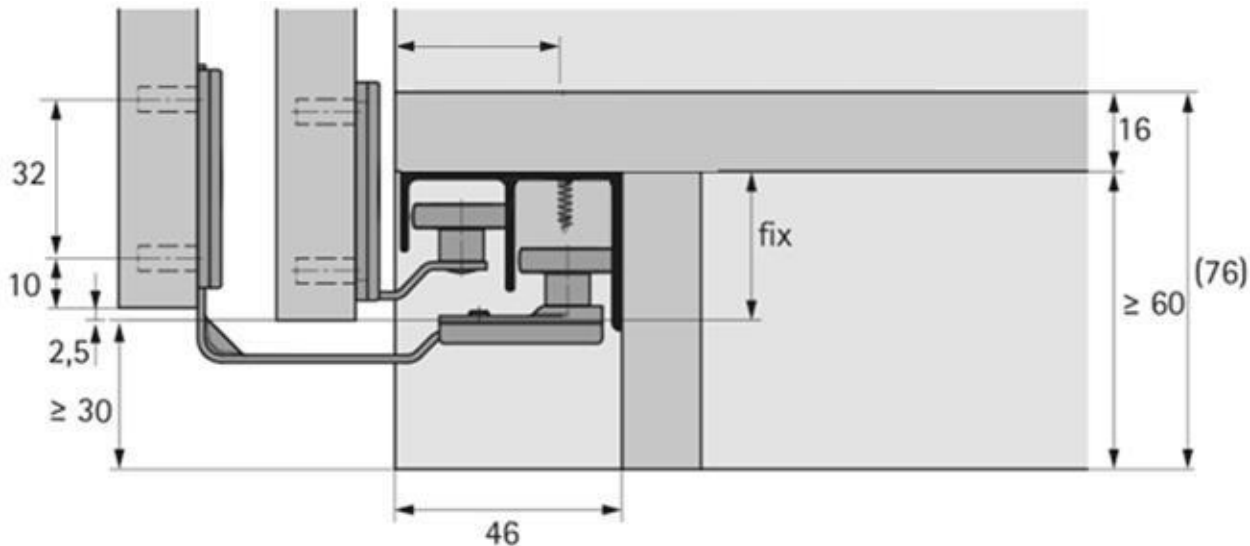
Features

- The guide profile is concealed under the bottom panel which adds aesthetic look to the wardrobe section.
- Screwing must be done from the bottom for which carcase must be tilted for assembling the STB 11 guide profile and screws are invisible.
- Perfect choice for manufacturers.

TopLine L: Carcase Planning & Installation Dimensions

Installation dimensions of Bottom Section

STB 11 Screw-On (from Top)



Features

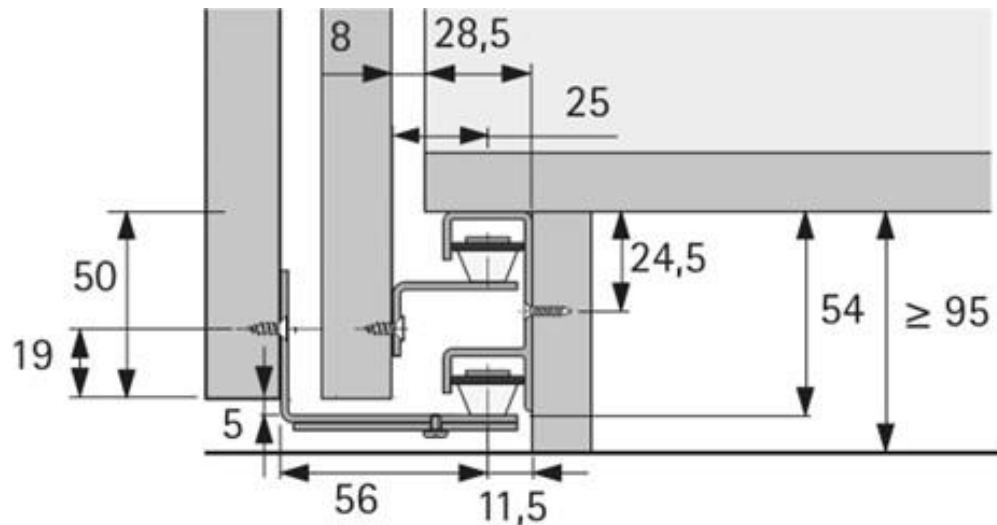
- The guide profile is concealed under the bottom panel which adds aesthetic look to the wardrobe section.
- Since screwing can be done from the top, hence no necessity to tilt the carcase & the screws are visible.
- Perfect choice for manufacturers, carpenters.

- Ideal for Carpenters to fix on site.
- Faster installation.

TopLine L: Carcase Planning & Installation Dimensions

Installation dimensions of Bottom Section

STB 12 Screw On (from Front)



- Best option for Carpenters
- Easy installation screw fixing from front.
- Suitable for Trade Sales

Features

- The guide profile is visible since the screwing done from front.
- Quick installation process.
- Ideal for carpenters.

TopLine L: Improvement over TL 22

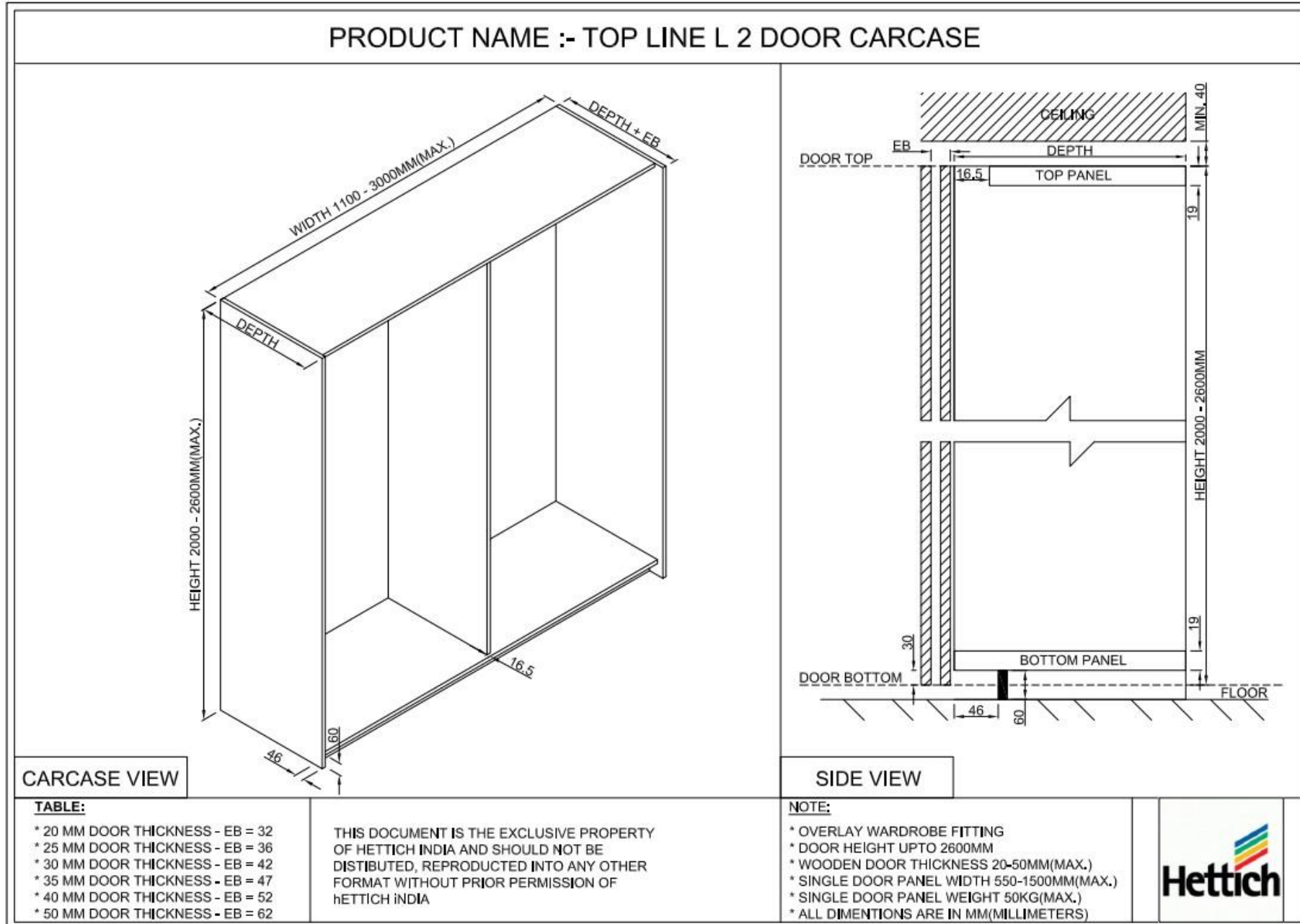
S. No.	Criteria	Topline 22	Topline L
1	Cabinet Construction	Same	Same
2	If Loft required	No additional panel required.	An additional panel needs to be added.
3	Dampener	Sits underneath the top panel.	Sits above the top panel
4	Soft Opening and Soft Closing	Only Soft closing feature	Soft Closing and Soft Opening (Optional only for Wooden)
5	STB 11	✓	✓
6	STB 12	✓	✓
7	Door Height adjustment	Not possible	± 2 mm
8	Door Thickness	21 mm / 28 mm	18-30 mm / 35-50 mm (With adjustment for each mm)
9	Door Height	Up to 2500 mm	Up to 2600 mm
10	Offset	Zero offset not possible	Zero offset possible, which eliminates the need for extra panel.
11	Outer Door of 3 Door unit	Movement only in one side	Movement in both side

TopLine L: Set Combinations

				STB 11 Regular (from Bottom)	STB 11 Screw On (from Top)	STB 12 Screw On (from Front)
2 Door	18 - 30 mm	FM Right	Wooden	✓	✓	✓
			Alu	✓	✓	✓
		FM Left	Wooden	✓	✓	✓
			Alu	✓	✓	✓
	35 - 50 mm	FM Right	Wooden	✓	✓	-
		FM Left	Wooden	✓	✓	-
3 Door	18 - 30 mm	-	Wooden	✓	✓	✓
			Alu	✓	✓	✓
	35 - 50 mm		Wooden	✓	✓	-
				9	9	6

24 Set combinations

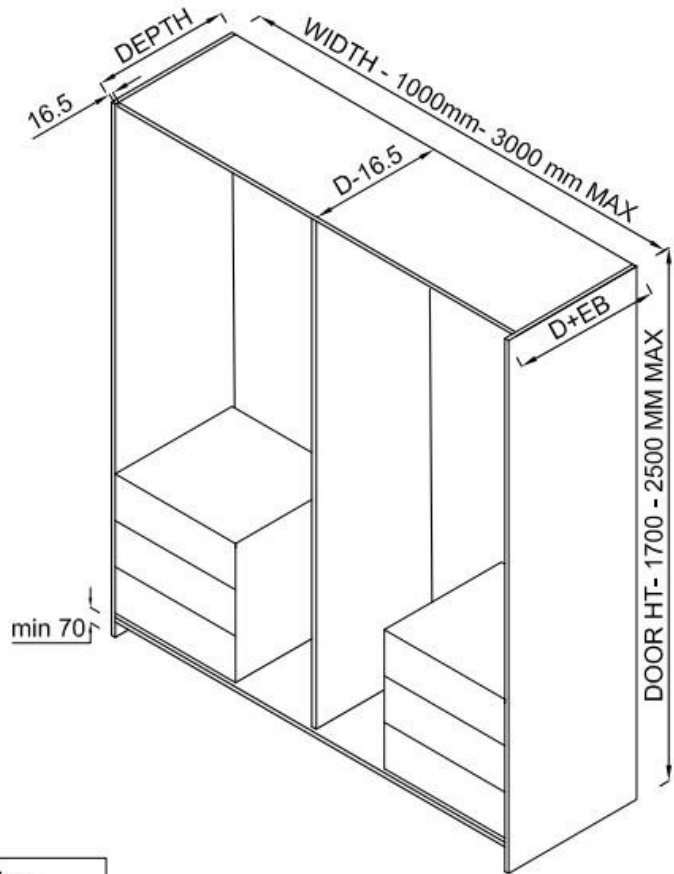
TopLine L: Carcase Drawing



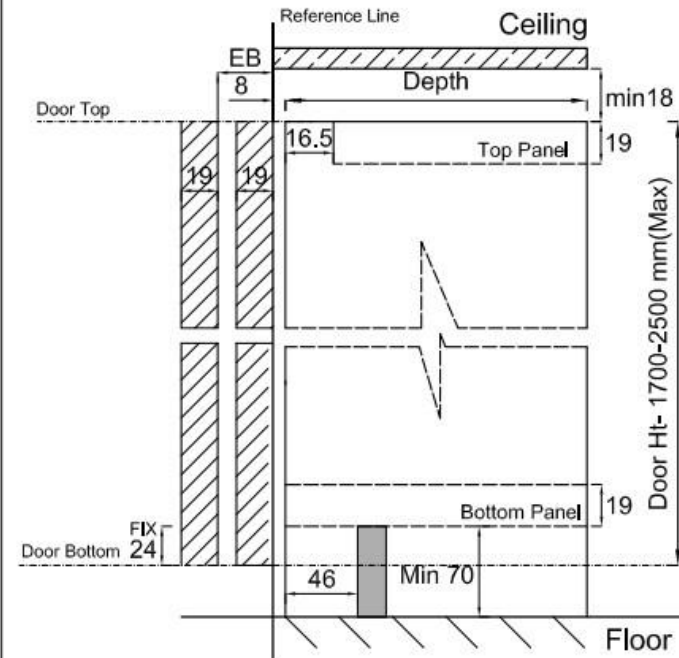
TopLine 22: Carcase Drawing

04

Product Name:- Top Line 22 (STB 11)- 2 Door- Aluminium



Carcase View



Side Section

Table :-

* 19 mm Door Thickness - EB = 29 MM

Note:-

- * Overlay Wardrobe fitting
- * Door Height upto 2500 mm (Max)
- * Aluminium Door thickness :-19 mm(Max)
- * Single Door Panel Width :- 500 - 1500 mm(Max)
- * Single Door Panel Weight :- 50 Kg (Max)
- * All Dimensions are in MM (millimeters)

"This document is the exclusive property of Hettich India and should not be distributed, reproduced, into any other format without prior permission of Hettich India."



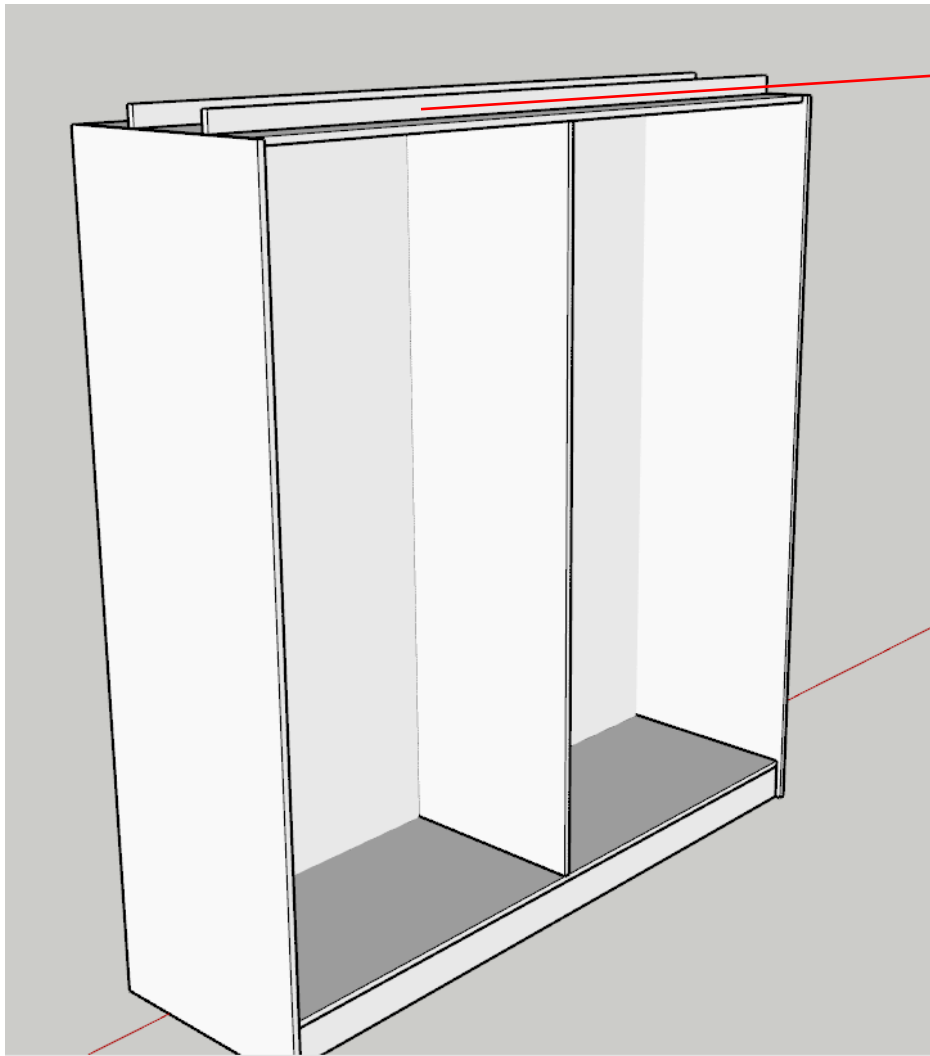
TopLine L: Communication Videos

Installation animation Video

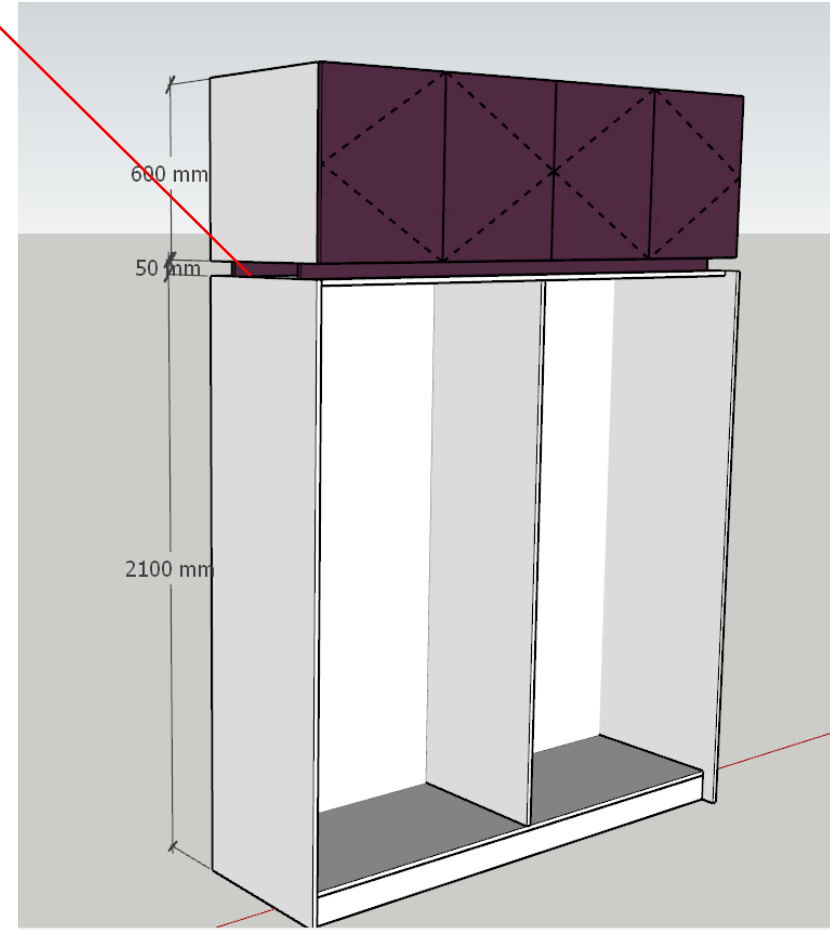
<https://youtu.be/Fg7QYUlcPRw>

Product Feature Video

<https://youtu.be/9B4SdvLWrhM>



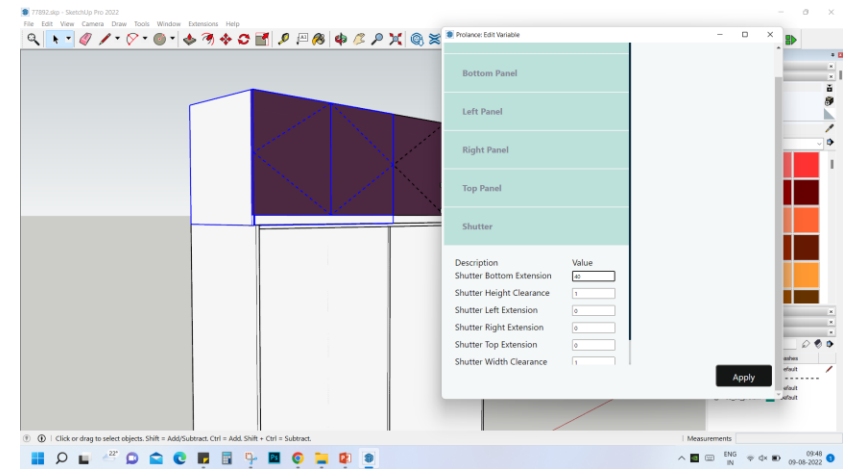
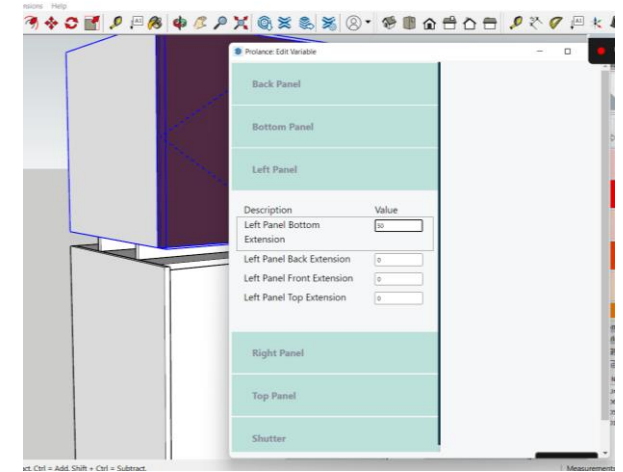
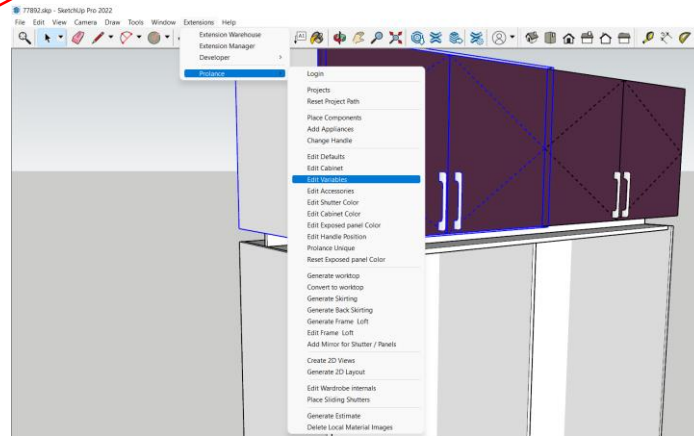
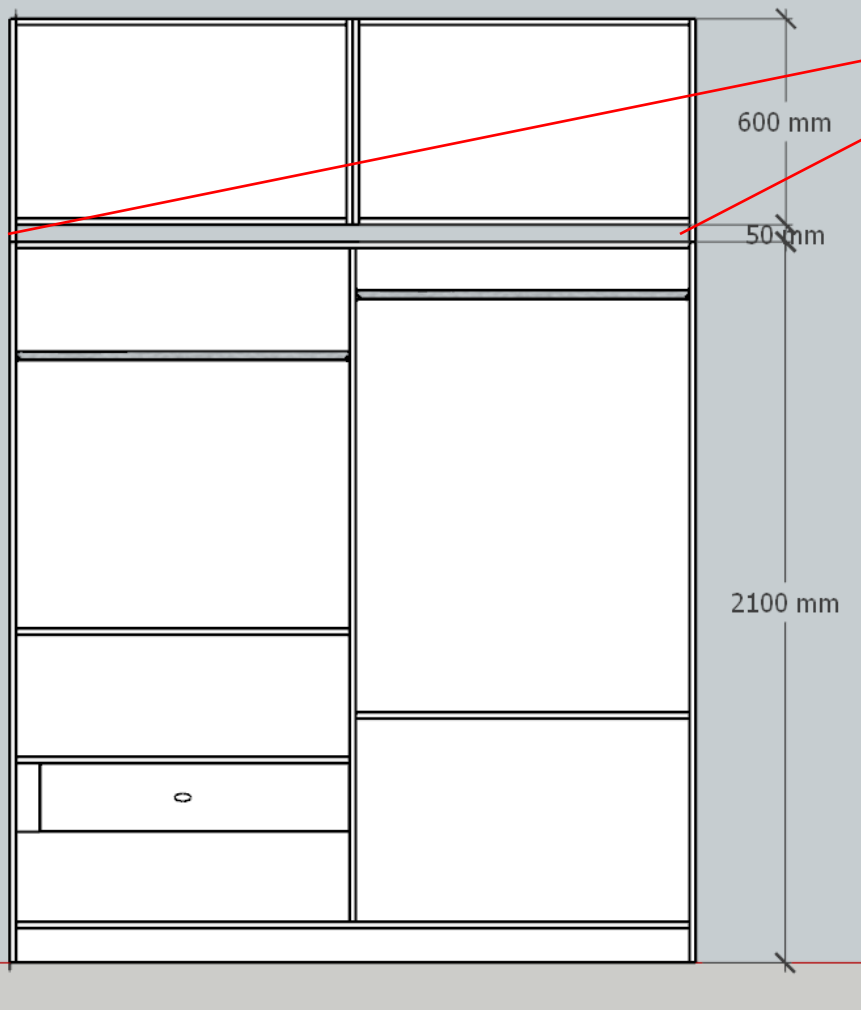
Above the wardrobe 50mm height of Carcass filler is required for to install the Loft .

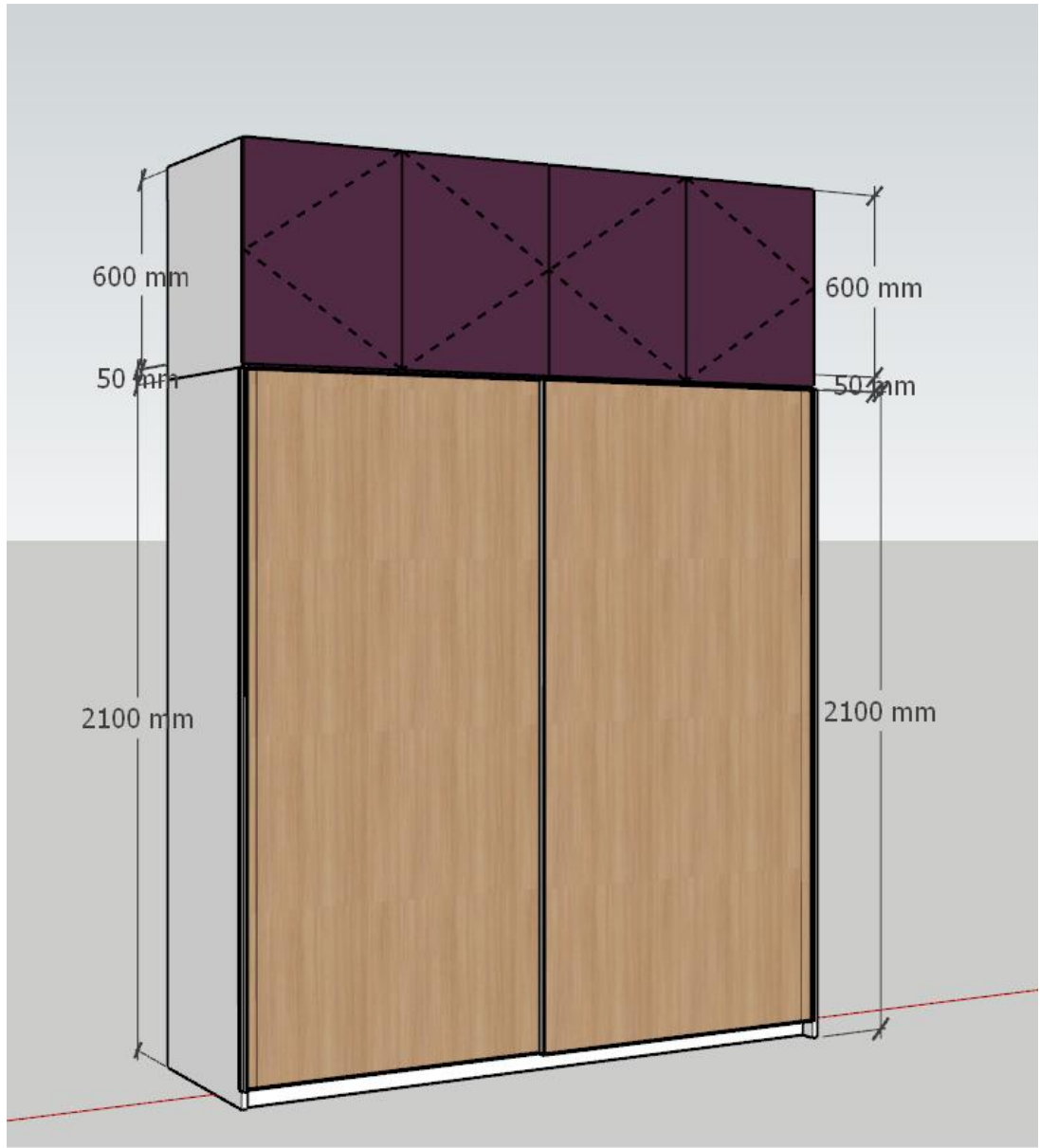


Note:-

1. Above the wardrobe 50mm height of Carcass filler is required for to install the BOX Loft .
2. F&S loft add the 50mm carcass filler and Carcass colour Panel

To extend the side vertical panels –Please see refer Attached Image







Hettich

Technik für Möbel


Hettich